

BIOCLIMATIC SİSTEM

BIOCLIMATIC SYSTEM



İÇİNDEKİLER | CONTENTS

1 GENEL BİLGİLER GENERAL INFORMATION

Sistem Bilgisi System Information.....	1.1.0
Kar Yüğü Hesapları Snow Load Calculations.....	1.2.0
Profil Listesi Profile List.....	1.3.0
Aksesuar Listesi Accessories List.....	1.4.0

2 TEKNİK BİLGİLER TECHNICAL INFORMATION

Profiller Profiles.....	2.1.0
---------------------------	-------

3 DETAYLAR DETAILS

Bioklimatik Veranda Detayları Details of Bioclimatic Veranda.....	3.1.0
---	-------

4 MONTAJ DETAYLARI INSTALLATION DETAILS

Montaj Detayları Installation Details.....	4.1.0
--	-------



1 GENEL BİLGİLER GENERAL INFORMATION

- * **Biyoklimatik veranda sistem**
Bioclimatic veranda system
- * **Sınırsız mesafede uygulama imkanı**
Unlimited length
- * **6 m derinlik**
6 m depth
- * **Düz görünüm**
Flat view
- * **Güçlendirilebilir bütünleşik oluk**
Strengthenable integrated guttering
- * **LED aydınlatma**
LED lighting
- * **Tüm RAL renklerinde uygulama**
Available in any RAL colours
- * **İki ayak arası 6.1 metreye kadar açıklık**
6,1 m between posts
- * **Düşük bakım gereksinimi**
Low maintenance



ACCURACY



HARMONY



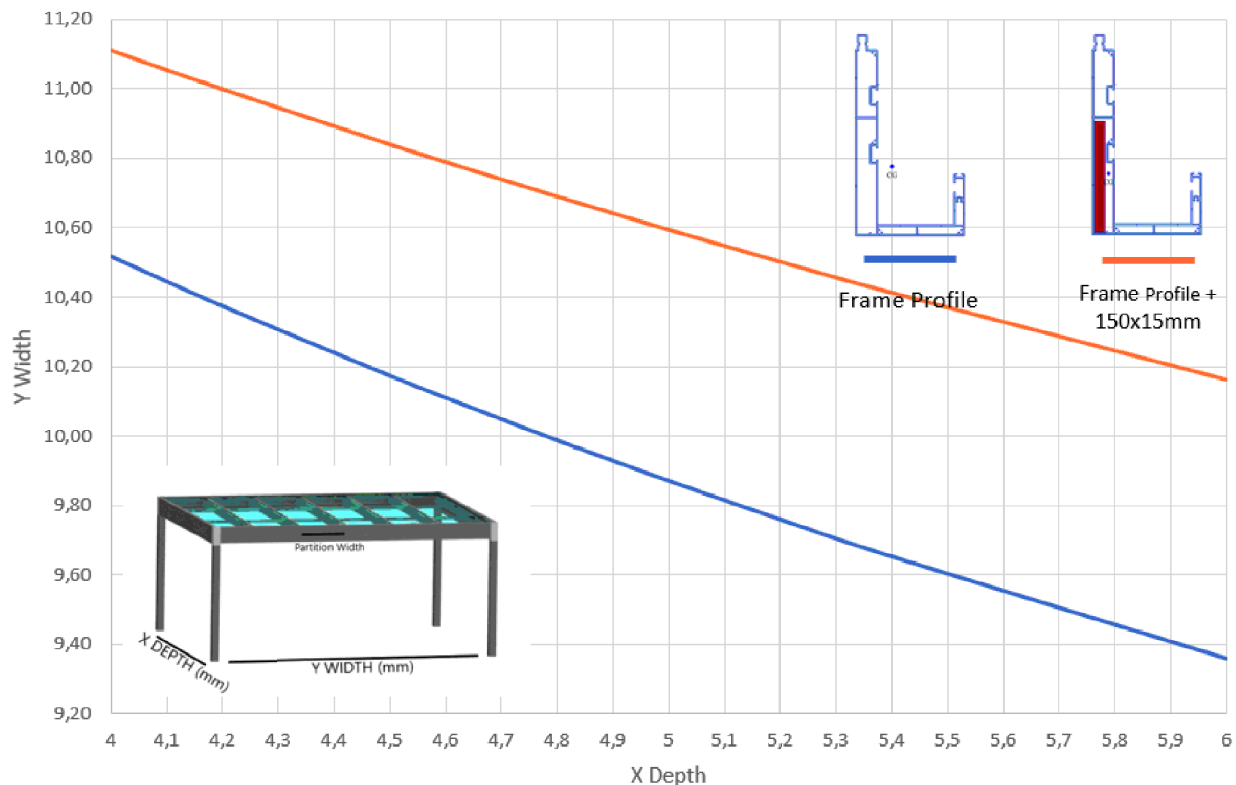
BALANCE



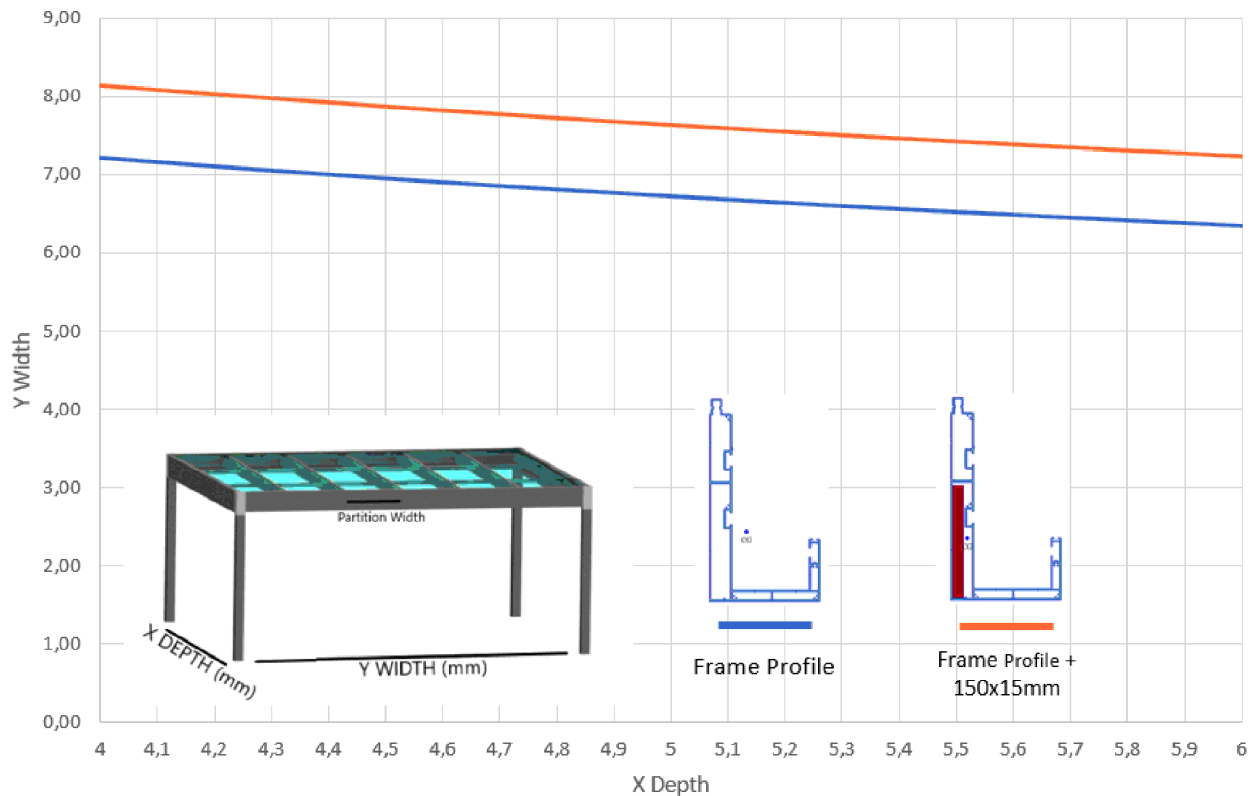
KAR YÜKÜ HESAPLARI

SNOW LOAD CALCULATIONS

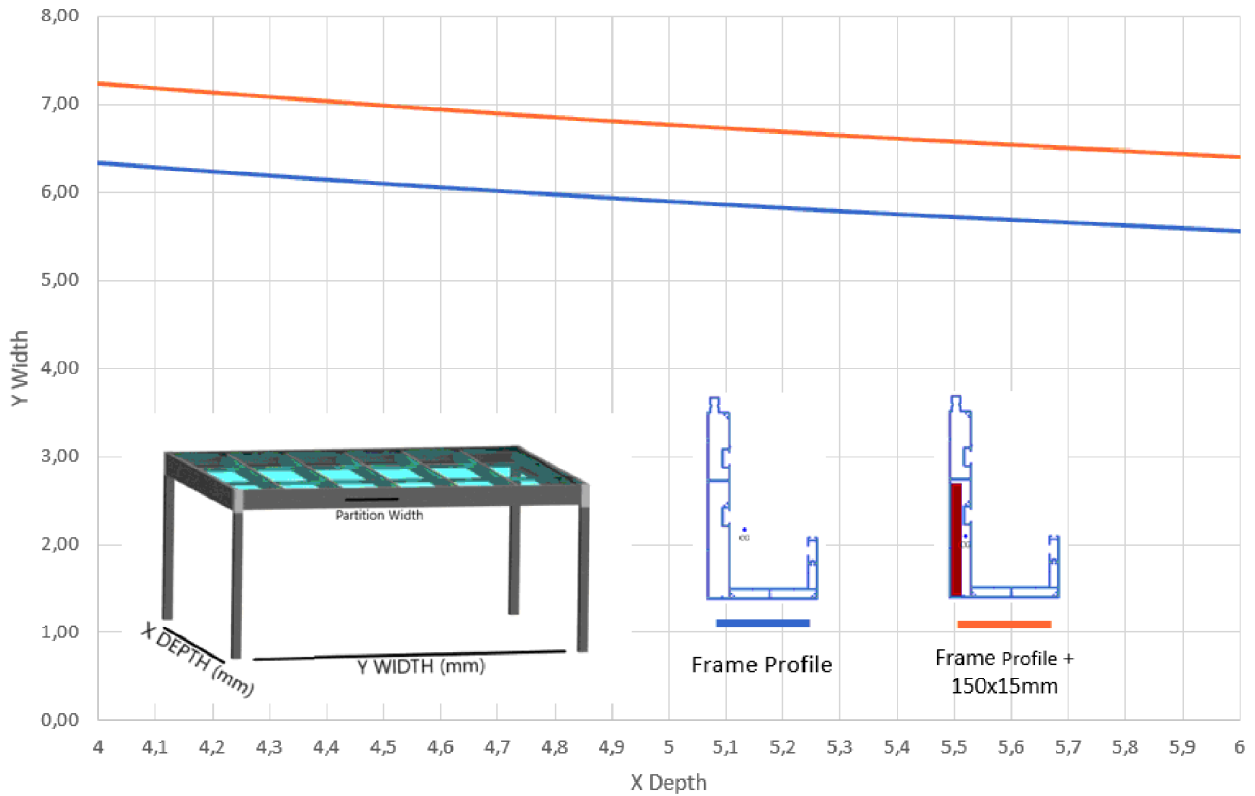
8 mm Solar Panel + 0 kg/m² Snow Load



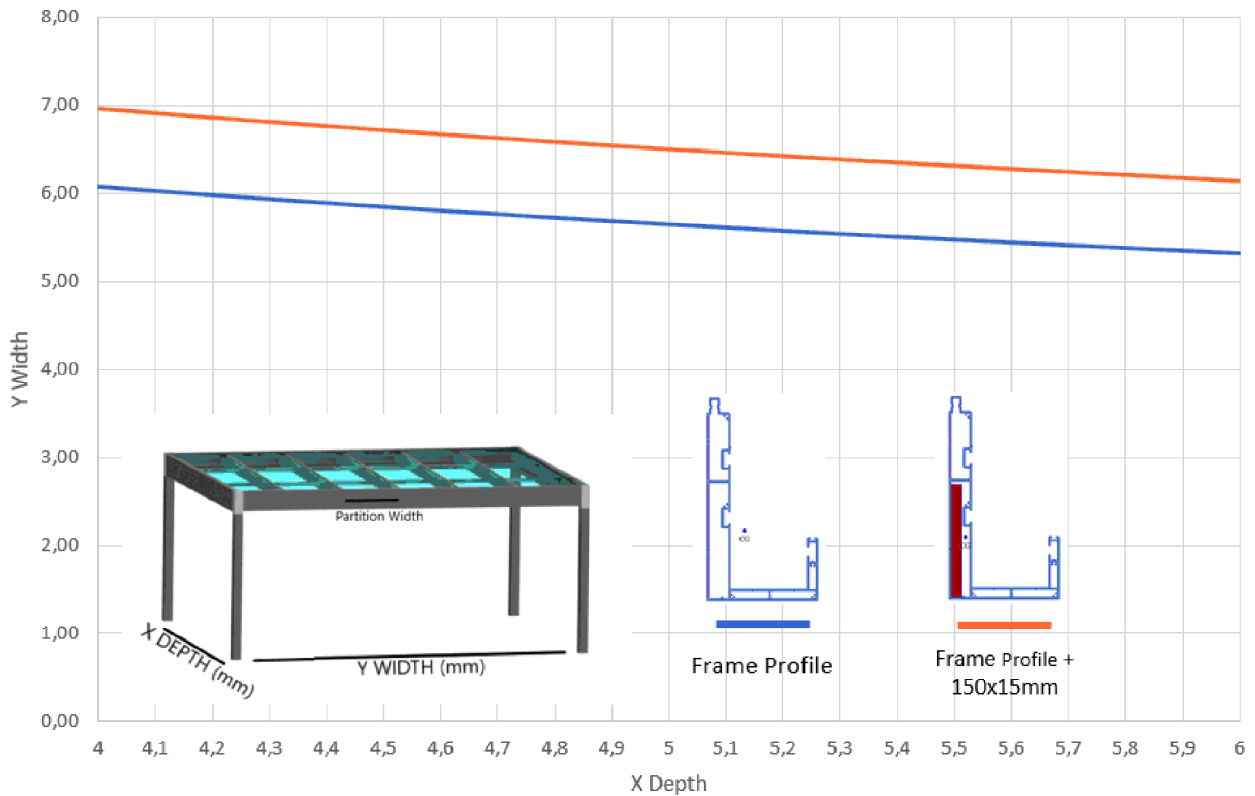
8 mm Solar Panel +50 kg/m² Snow Load

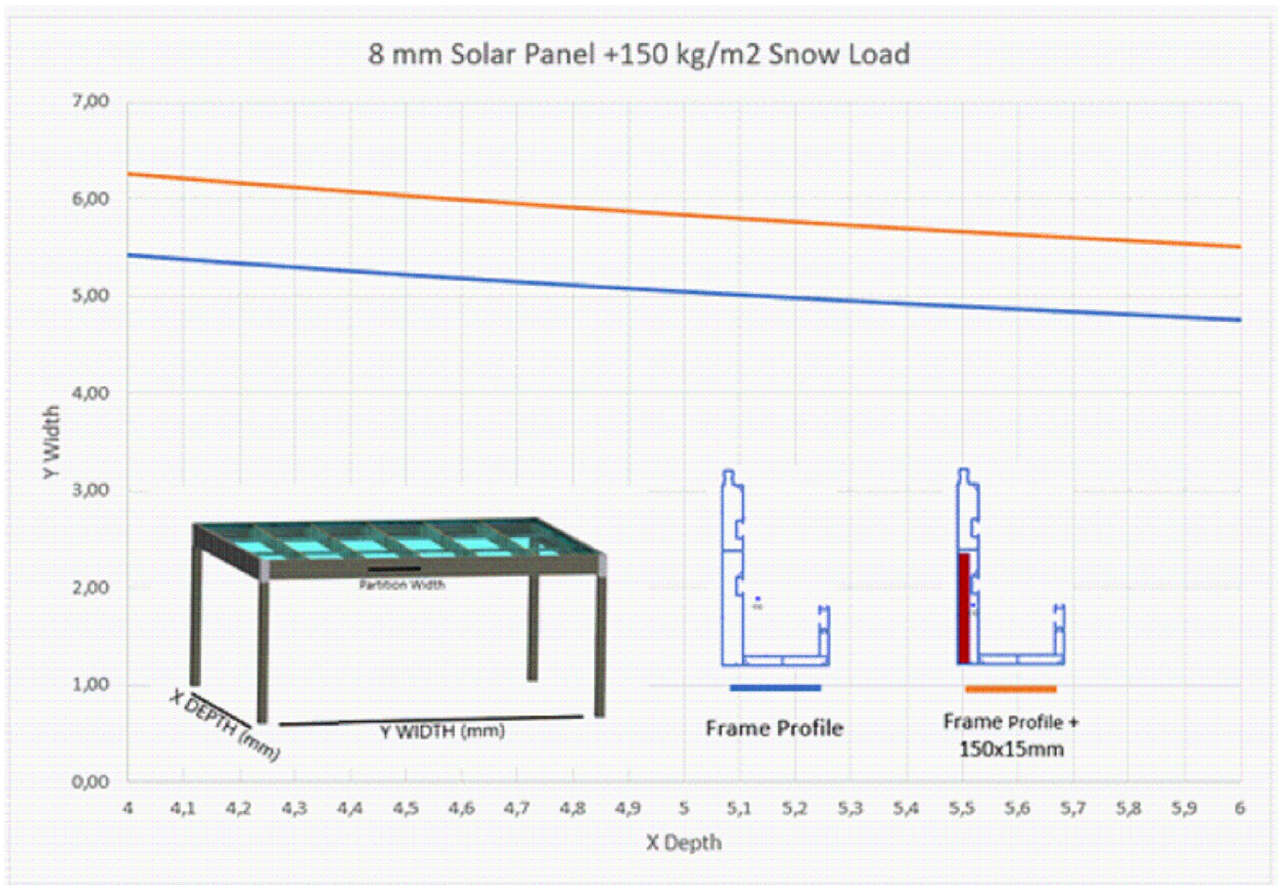


8 mm Solar Panel +85 kg/m² Snow Load



8 mm Solar Panel +100 kg/m² Snow Load







ACCURACY



HARMONY



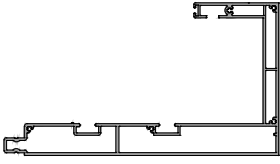

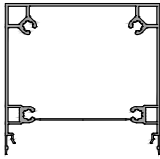


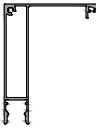

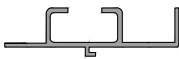
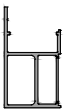

BALANCE



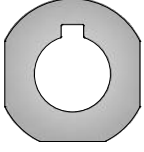
PROFİL LİSTESİ

PROFILES LIST



ÜRÜN ÇİZİMİ DRAWING	ÜRÜNÜN KODU PRODUCT REFERENCE	ÜRÜN ADI PRODUCT NAME	AĞIRLIK KG/M WEIGHT KG/M	SAYFA NO PAGE NUMBER
	710-3001	ŞASE PROFİLİ CHASSIS PROFILE	7,728	2.1.1
	720-1001	LAMEL PROFİLİ LAMEL PROFILE	3,88	2.1.2
	710-4001	KOLON PROFİLİ COLUMN PROFILE	5,360	2.1.3
	710-6001	KOLON KAPAK PROFİLİ COLUMN COVER PROFILE	0,827	2.1.3
	710-5001	ADAPTÖR PROFİLİ 130 mm ADAPTER PROFILE 130 mm	1,711	2.1.3
	710-5002	ADAPTÖR PROFİLİ 100 mm ADAPTER PROFILE 100 mm	1,428	2.1.3
	720-7001	KAYIŞ KORUMA PROFİLİ STRAP PROFILE	0,630	2.1.4
	720-7002	RULMAN KILAVUZ PROFİLİ ROLLER ROUTER PROFILE	1,090	2.1.4
	720-6001	LED PROFİLİ LED PROFILE	0,730	2.1.4
	720-5001	ADAPTÖR PROFİLİ ADAPTER PROFILE	0,305	2.1.4

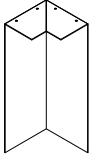
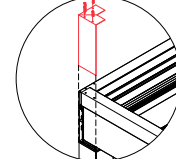
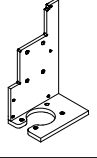
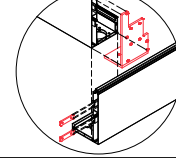
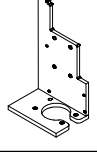
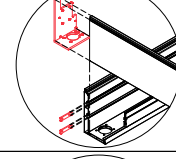
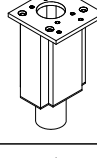
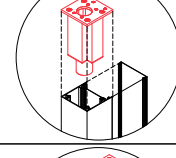
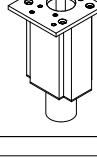
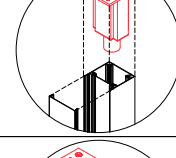
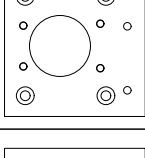
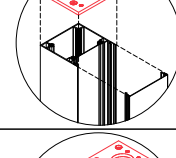
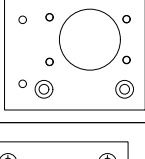
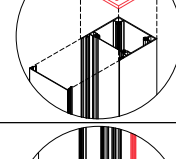
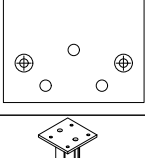
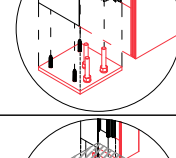
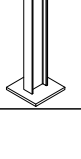
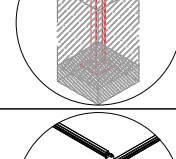
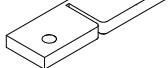
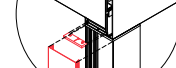



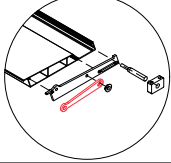
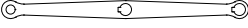
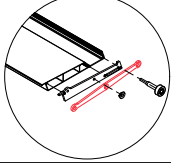
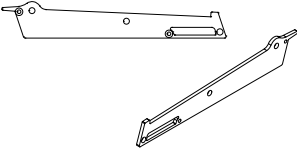
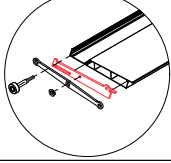
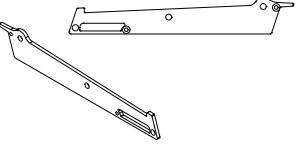
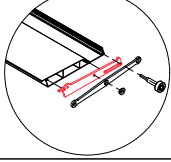
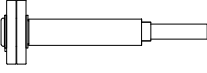
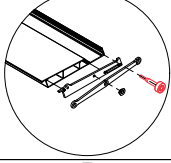
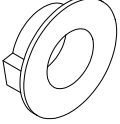
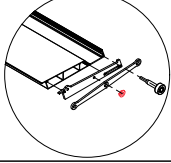
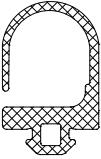
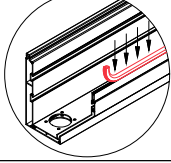

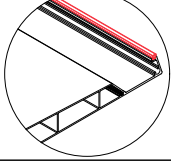
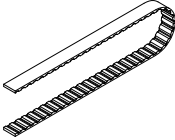
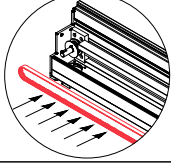

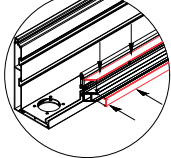
ÜRÜN ÇİZİMİ DRAWING	ÜRÜNÜN KODU PRODUCT REFERENCE	ÜRÜN ADI PRODUCT NAME	AĞIRLIK KG/M WEIGHT KG/M	SAYFA NO PAGE NUMBER
	580-6101	HAREKET AKTARMA PROFİLİ MOTION TRANSMISSION PROFILE	2,286	2.1.1



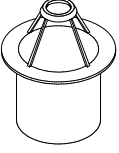
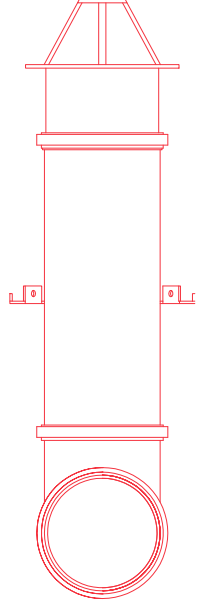

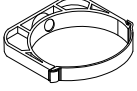
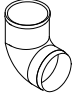
AKSESUAR LİSTESİ

ACCESSORIES LIST

ÜRÜN ÇİZİMİ DRAWING	ÜRÜNÜN KODU PRODUCT REFERENCE	ÜRÜN ADI PRODUCT NAME	UYGULAMA APPLICATION
	9201213	ŞASE BİRLEŞİM KAPAĞI CHASSIS CONNECTION COVER	
	9201407	ŞASE BAĞLANTI SET (SAĞ) CHASSIS CONNECTION SET (RIGHT)	
	9201408	ŞASE BAĞLANTI SET (SOL) CHASSIS CONNECTION SET (LEFT)	
	1616445	KOLON ÜST ANKRAJ (SAĞ) COLUMN TOP ANKHORAGE (RIGHT)	
	1616446	KOLON ÜST ANKRAJ (SOL) COLUMN TOP ANKHORAGE (LEFT)	
	1616440	KOLON ÜST FLANŞ (SAĞ) COLUMN TOP CONNECTION PLATE (RIGHT)	
	1616447	KOLON ÜST FLANŞ (SOL) COLUMN TOP CONNECTION PLATE (LEFT)	
	1616439	KOLON ALT ANKRAJ COLUMN BOTTOM ANKHORAGE	
	1616444	KOLON ANKRAJ (150 x 150 x 1200 mm) COLUMN ANKHORAGE (150 x 150 x 1200 mm)	
	9209106	ŞASE-AYAK BAĞLANTI PULU CHASSIS-COLUMN CONNECTION NUT	

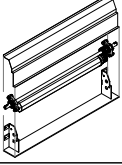
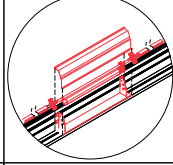
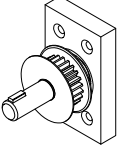
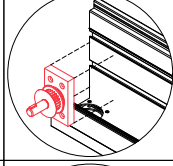
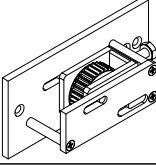
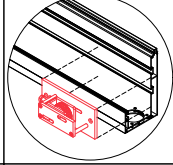
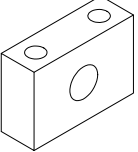
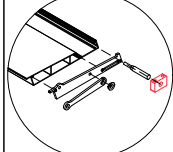
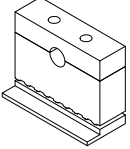
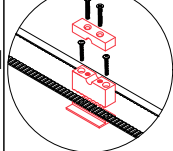
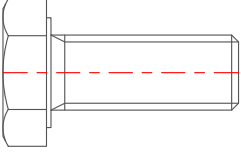
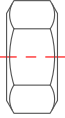
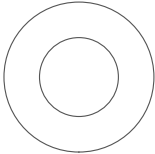
ÜRÜN ÇİZİMİ DRAWING	ÜRÜNÜN KODU PRODUCT REFERENCE	ÜRÜN ADI PRODUCT NAME	UYGULAMA APPLICATION
	8509304	YARIM MAKAS LAMA FRONT-BACK LAMEL CONNECTOR	
	8509303	MAKAS LAMA LAMEL CONNECTOR	
	8509305	LAMEL YAN KAPAĞI SOL LAMEL SIDE COVER LEFT	
	8509306	LAMEL YAN KAPAĞI SAĞ LAMEL SIDE COVER RIGHT	
	8558400	PİMLİ RULMAN ROLLER WITH GIB	
	8558700	MAFSAL PİM YUVASI GIB CONNECTOR	
	8502201	FİTİL GASKET	
	3202405	BİNİ FİTİLİ OVERLAP GASKET	
	8558701	T10 ZAMAN KAYIŞI T10 TIME BELT	
	5303306	DİFFÜZÖR LED KAPAK DIFFUSER LED CAP	



ÜRÜN ÇİZİMİ DRAWING	ÜRÜNÜN KODU PRODUCT REFERENCE	ÜRÜN ADI PRODUCT NAME	UYGULAMA APPLICATION
	8003602	SÜZGEÇ 65 mm FILTER 65 mm	
	8003600	PVC BORU Ø 70 mm GUTTER PIPE Ø 70 mm	
	8003604	PVC BORU KELEPÇESİ PIPE CLAMP	
	8003603	90° PVC DİRSEK BORU Ø 70 mm CORNER PIPE Ø 70 mm	

8528801

BIOCLIMATIC SET-1 İÇERİK LİSTESİ

ÜRÜN ÇİZİMİ DRAWING	ÜRÜNÜN KODU PRODUCT REFERENCE	ÜRÜN ADI PRODUCT NAME	UYGULAMA APPLICATION	ADET QTY
	8528001	MOTOR ÜNİTESİ ENGINE UNIT		1 AD.
	8501302	ARKA GERGİ TAKIMI BACK STRETCHER SET		2 AD.
	8501301	ÖN GERGİ TAKIMI FRONT STRETCHER SET		2 AD.
	8509301	LAMEL SABİTLEME PARÇASI LAMEL FIXING PART		2 AD.
	8509302	KAYIŞ BAĞLANTI PARÇASI STRAP CONNECTION PART		2 AD.
	1501636	M10*25 ANAHTAR BAŞLI INOX VİDA M10*25 HEXAGON HEAD METRIC INOX SCREW		4 AD.
	1516207	M10 INOX SOMUN M10 INOX NUT		4 AD.
	1501413	M10 INOX PUL M10 INOX NUT		4 AD.



ACCURACY



HARMONY



BALANCE



TEKNİK BİLGİLER

TECHNICAL INFORMATION



ACCURACY



HARMONY



BALANCE

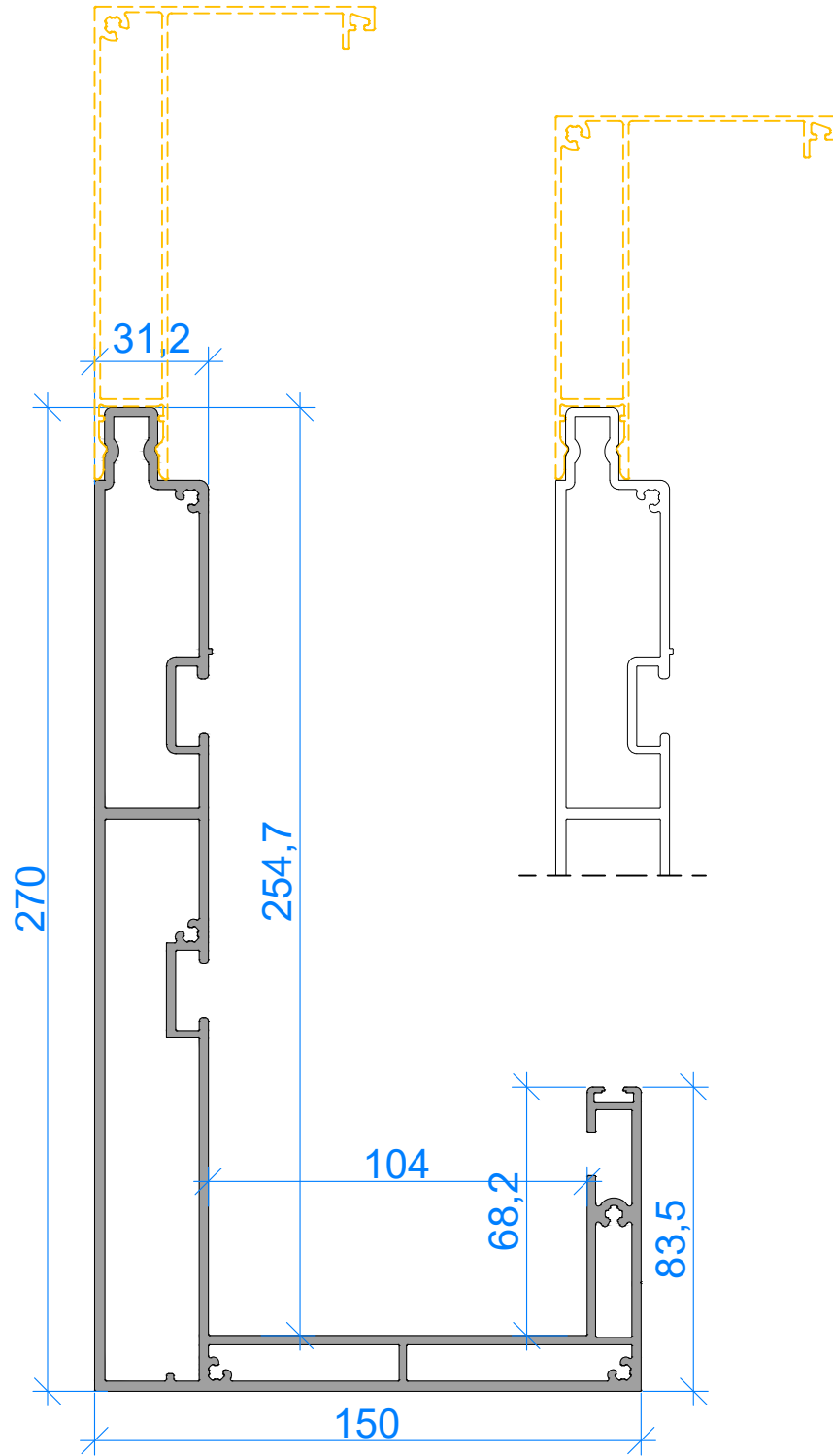


PROFİLLER

PROFILES



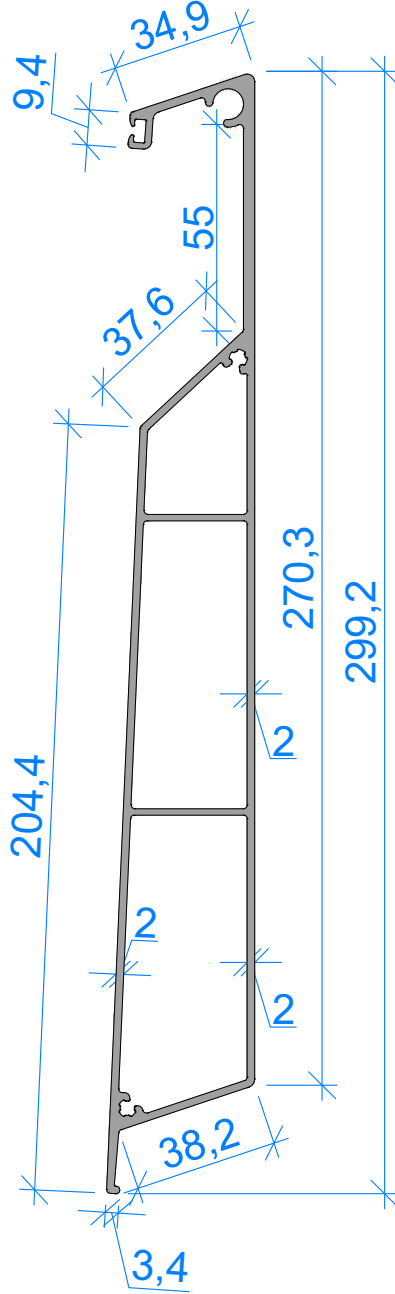
ÖLÇEK: 1/2




710-3001
kg (kg/m)
7,742

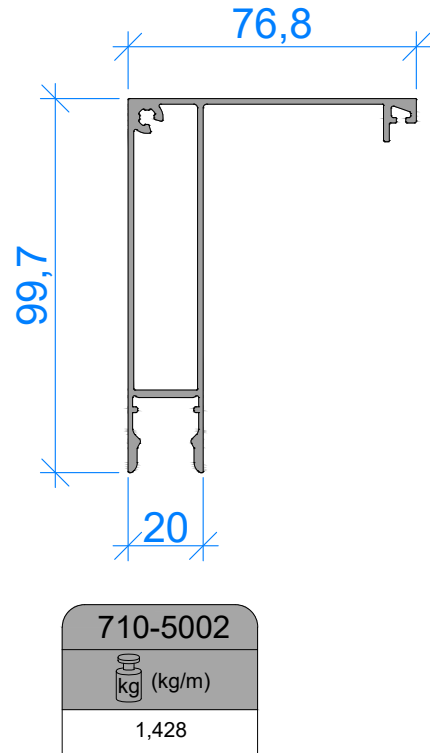
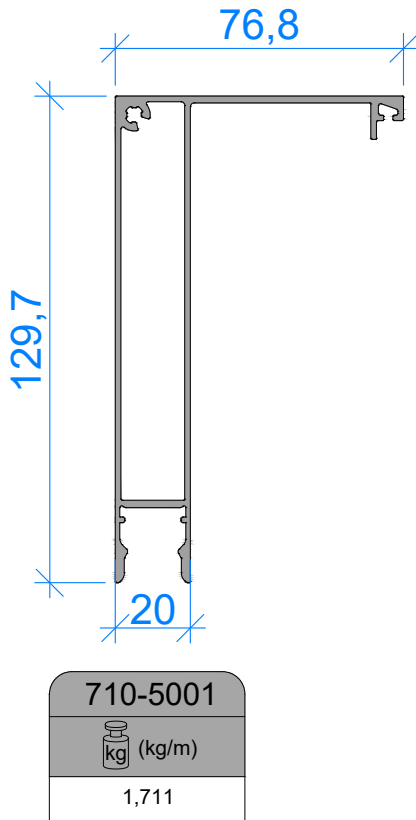
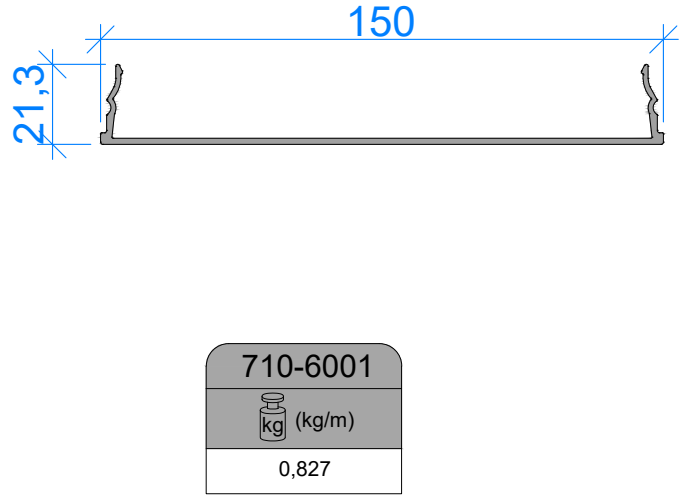
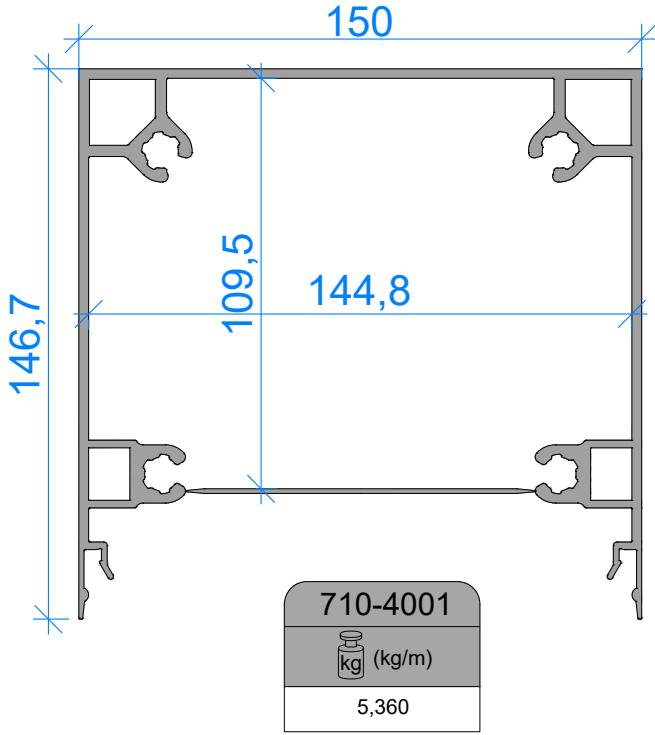


ÖLÇEK:1/2



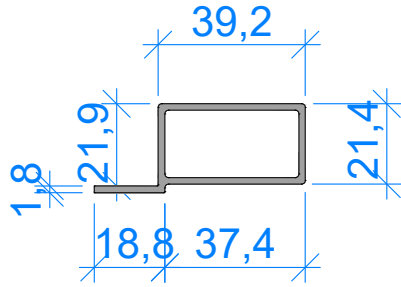
720-1001
 (kg/m)
3,88

ÖLÇEK:1/2

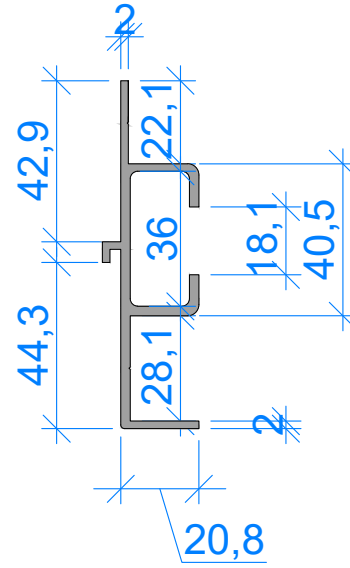




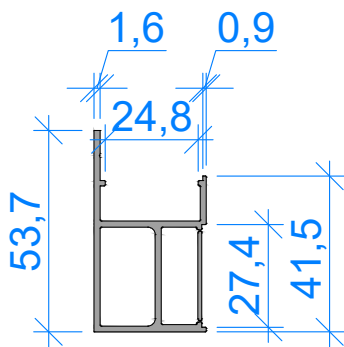
ÖLÇEK: 1/2



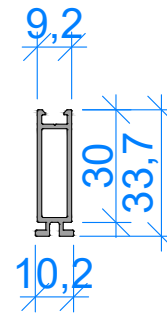
720-7001
(kg/m)
0,630



720-7002
(kg/m)
1,090



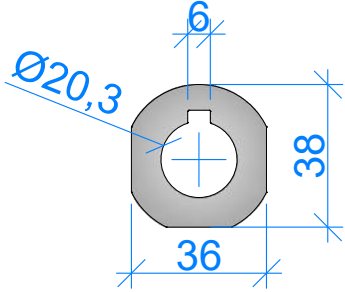
720-6001
(kg/m)
0,730




720-5001
(kg/m)
0,305



ÖLÇEK: 1/2



580-6101
 (kg/m)
2,286



ACCURACY



HARMONY



BALANCE



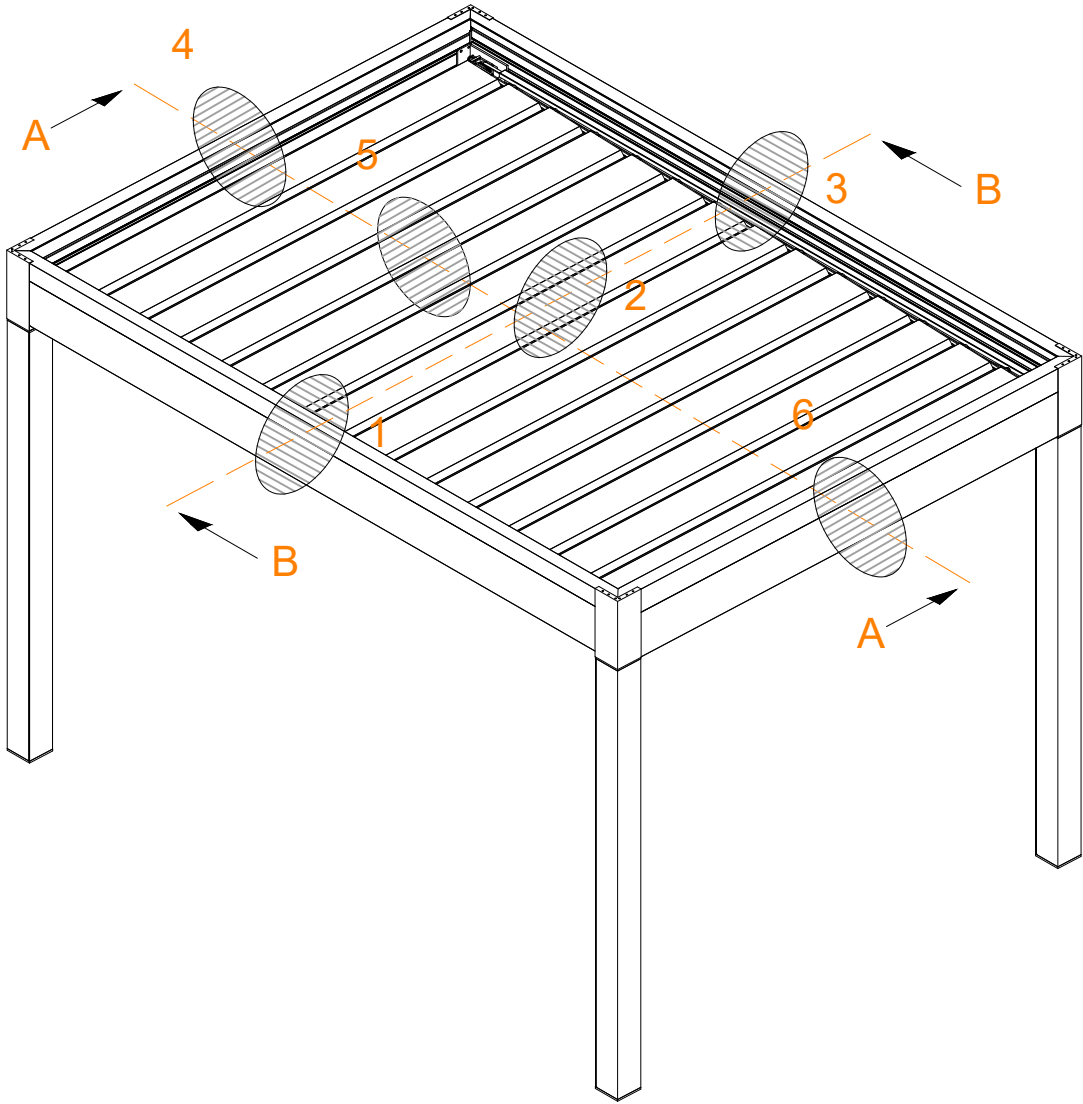
AMANOS

DETAYLAR

DETAILS

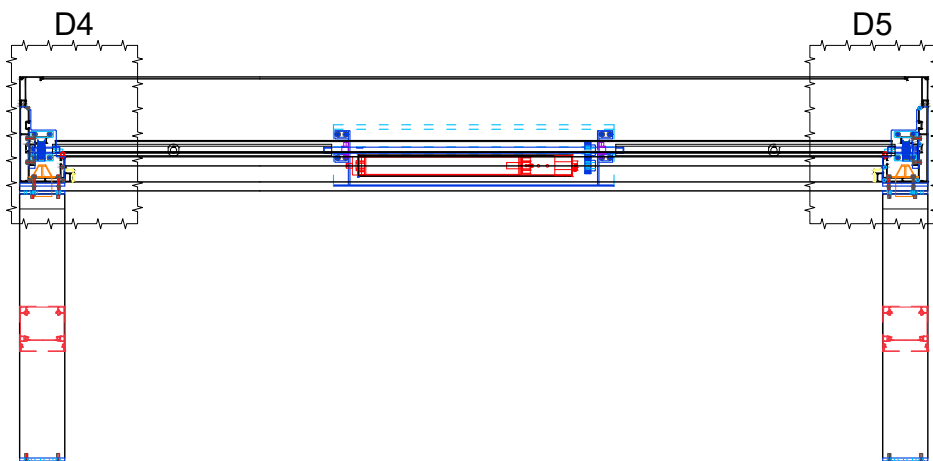
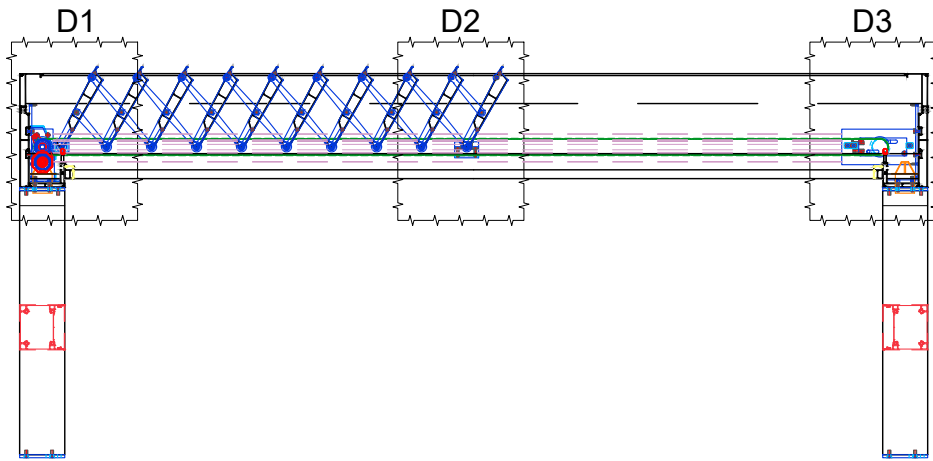
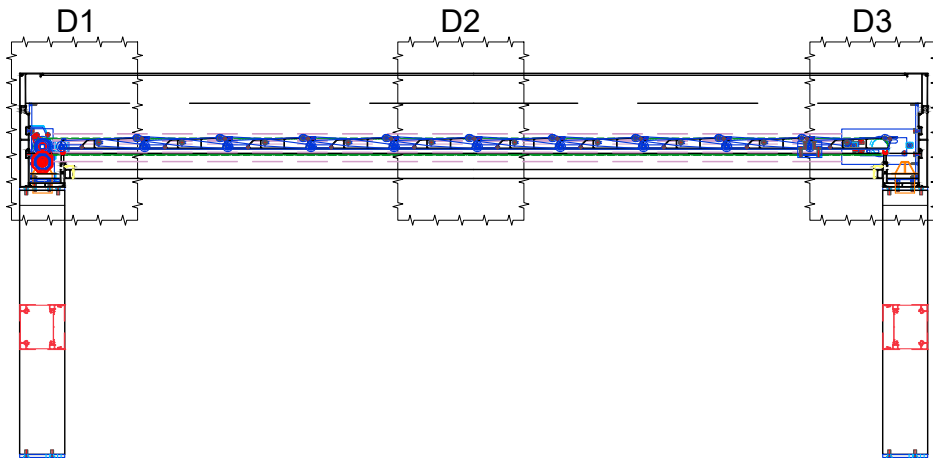
ROLLING ROOF VERANDA DETAYLARI

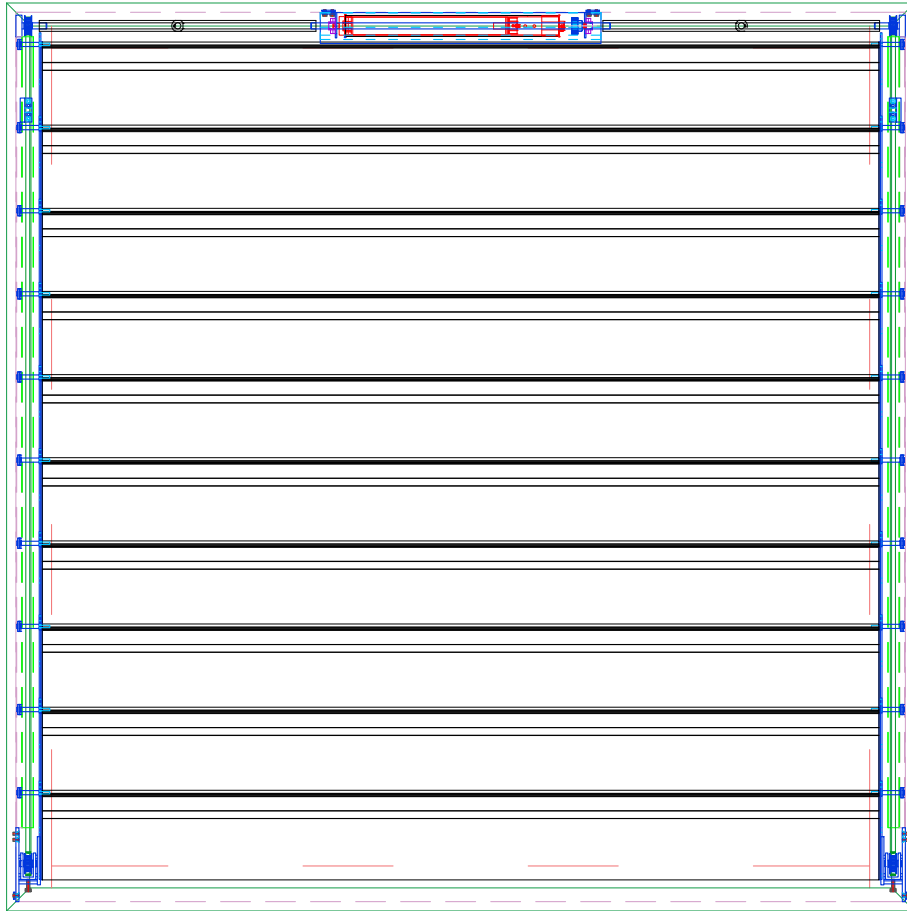
DETAILS OF ROLLING ROOF VERANDA





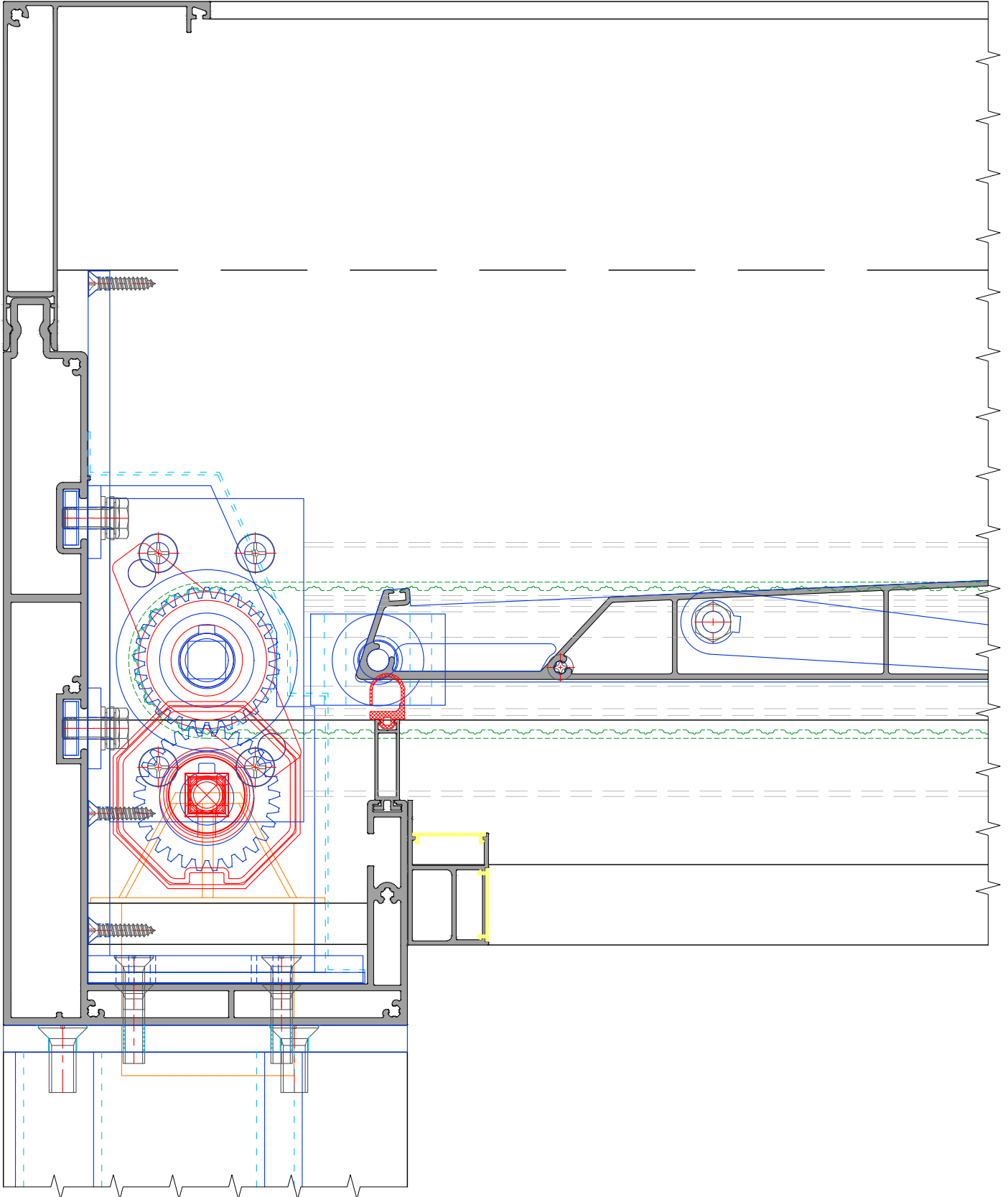
ÖLÇEK: 1/50





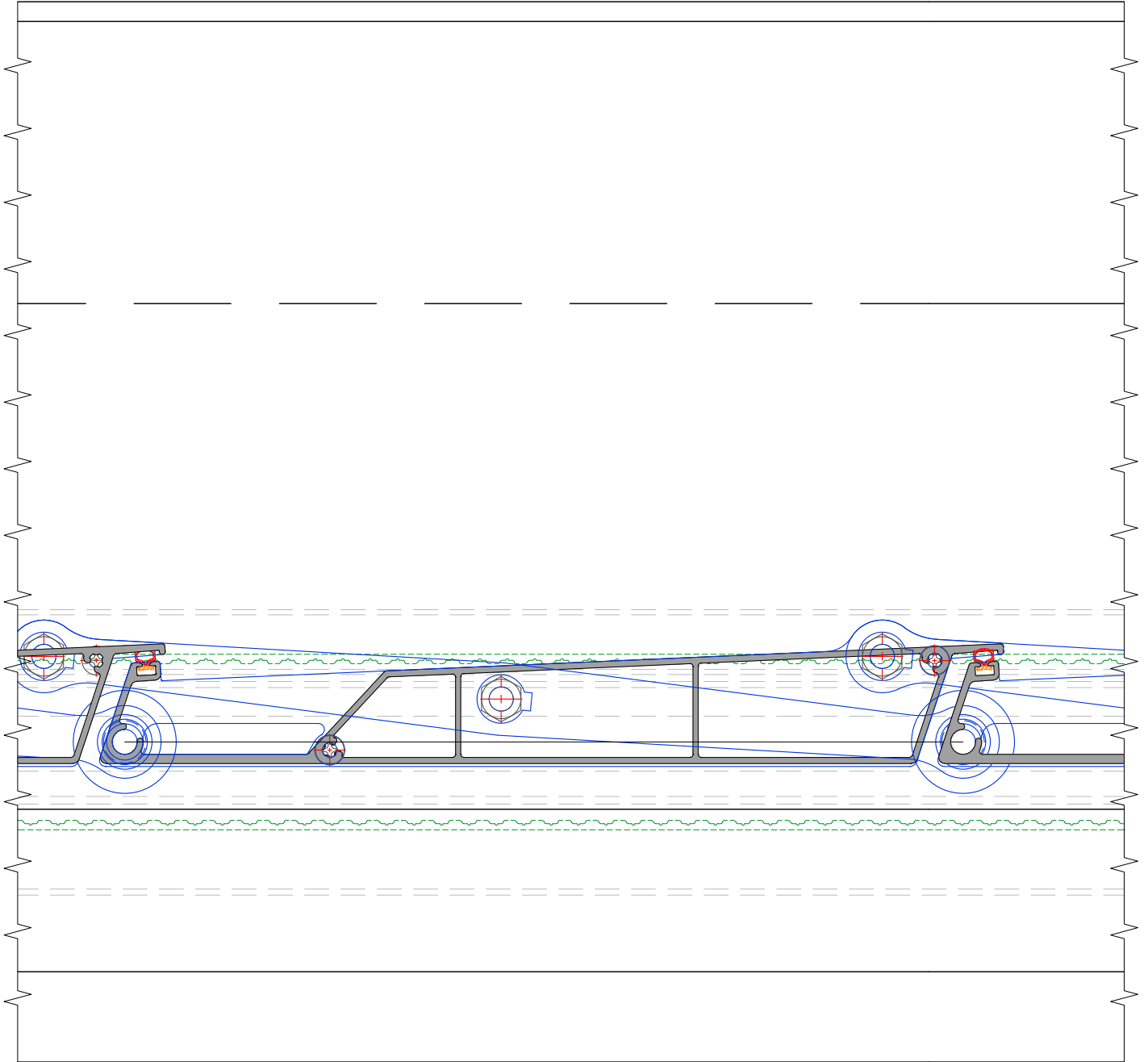


D1





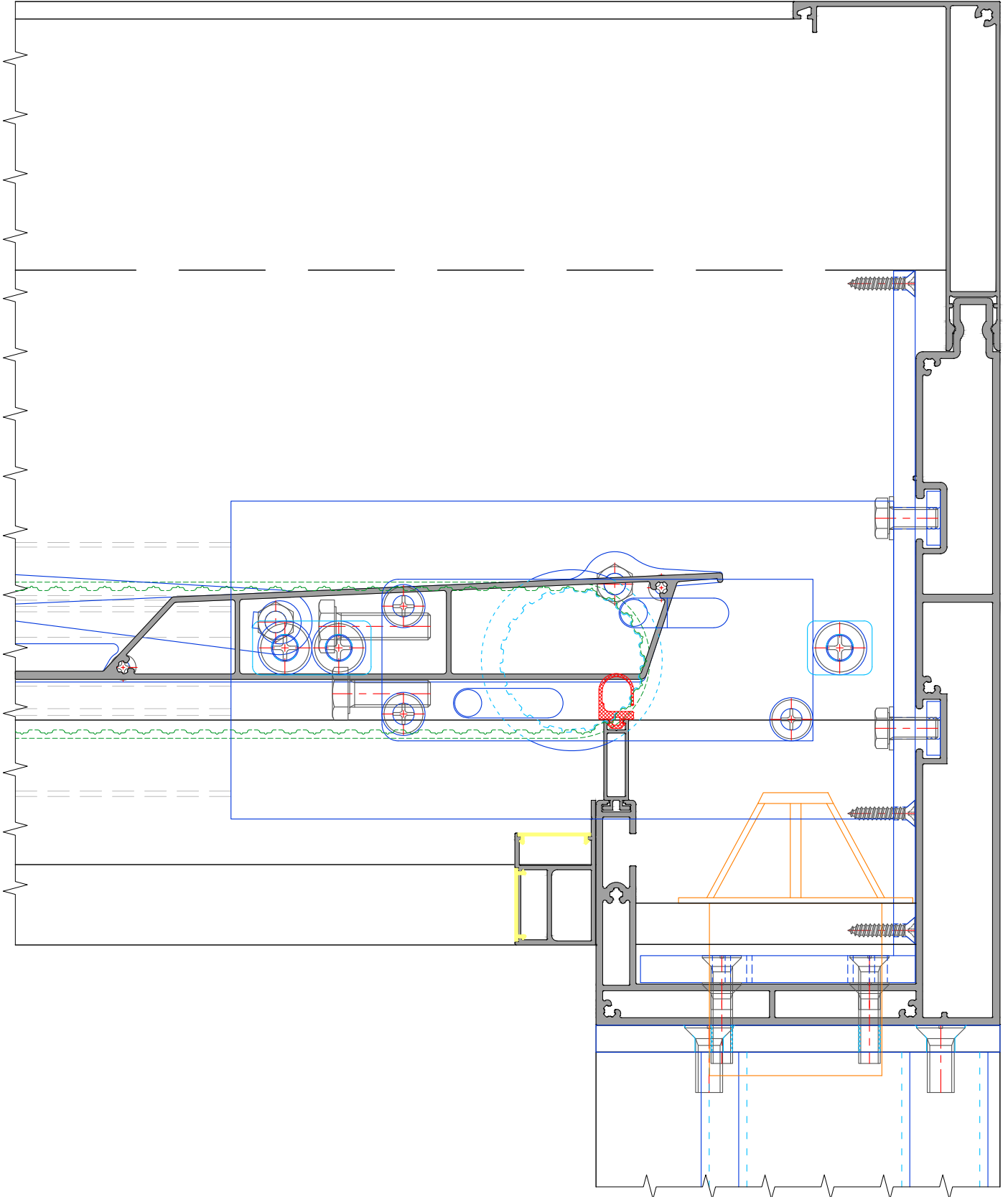
D2





ÖLÇEK: 1/2

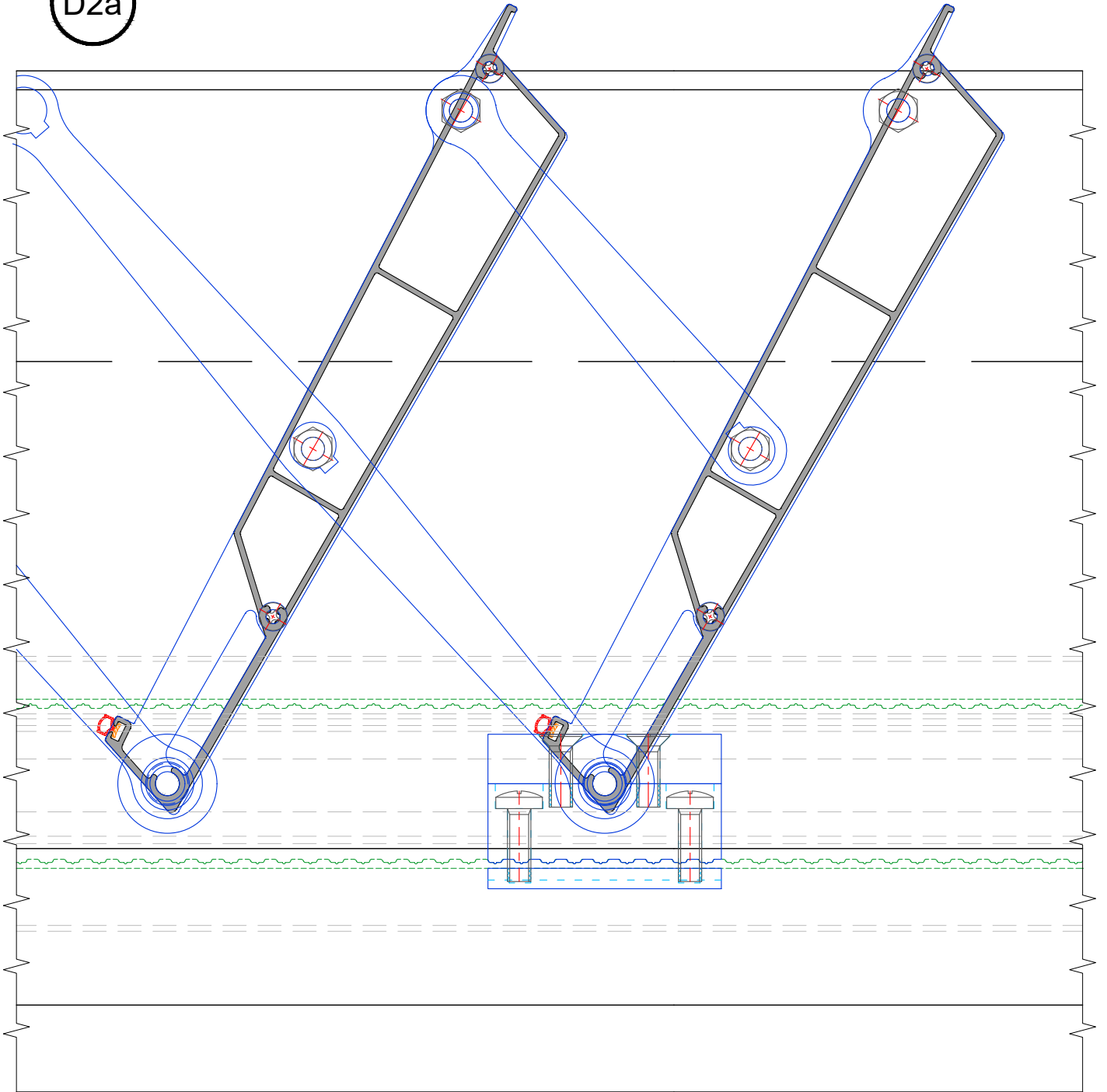
D3



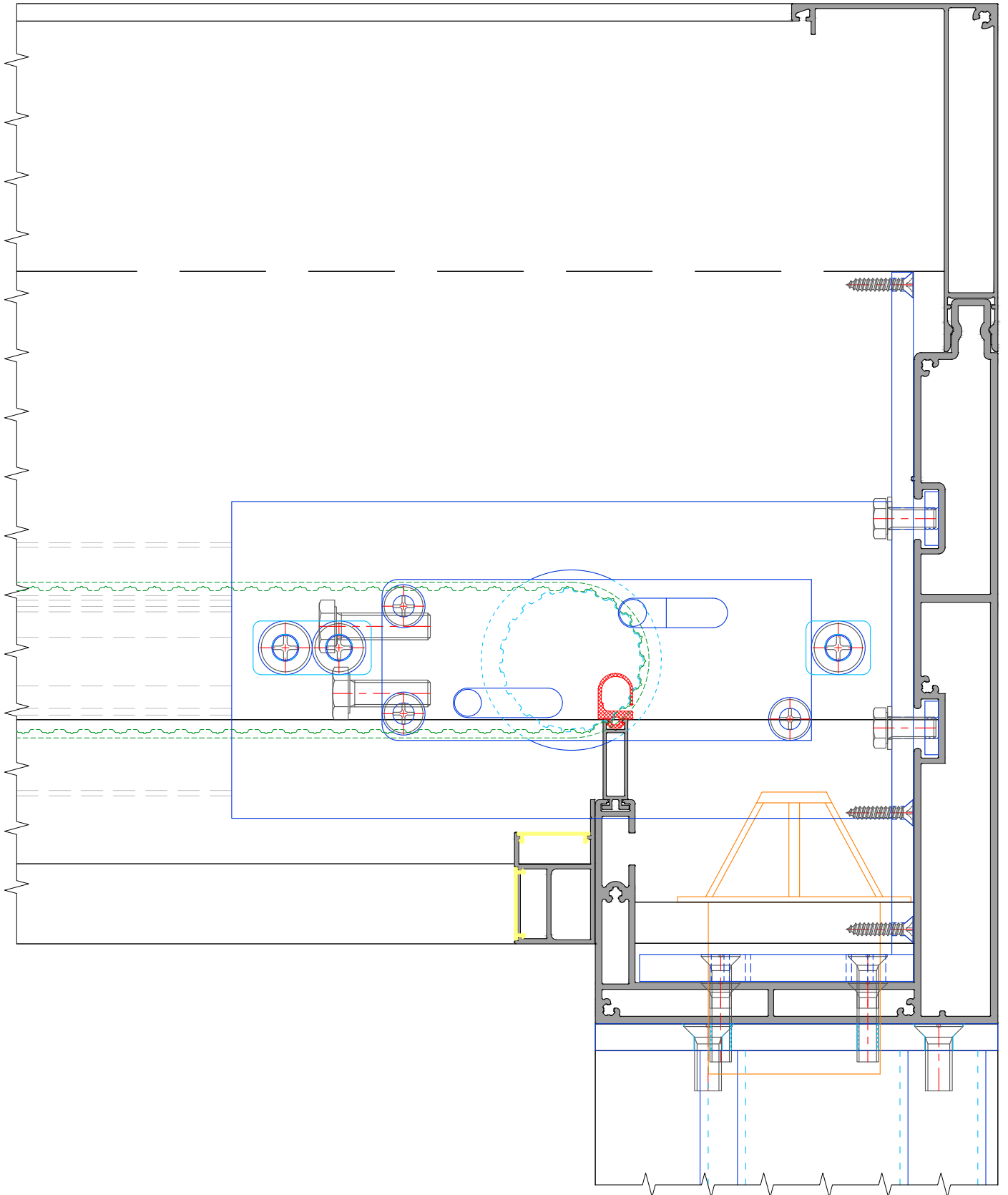


ÖLÇEK:1/2

D2a

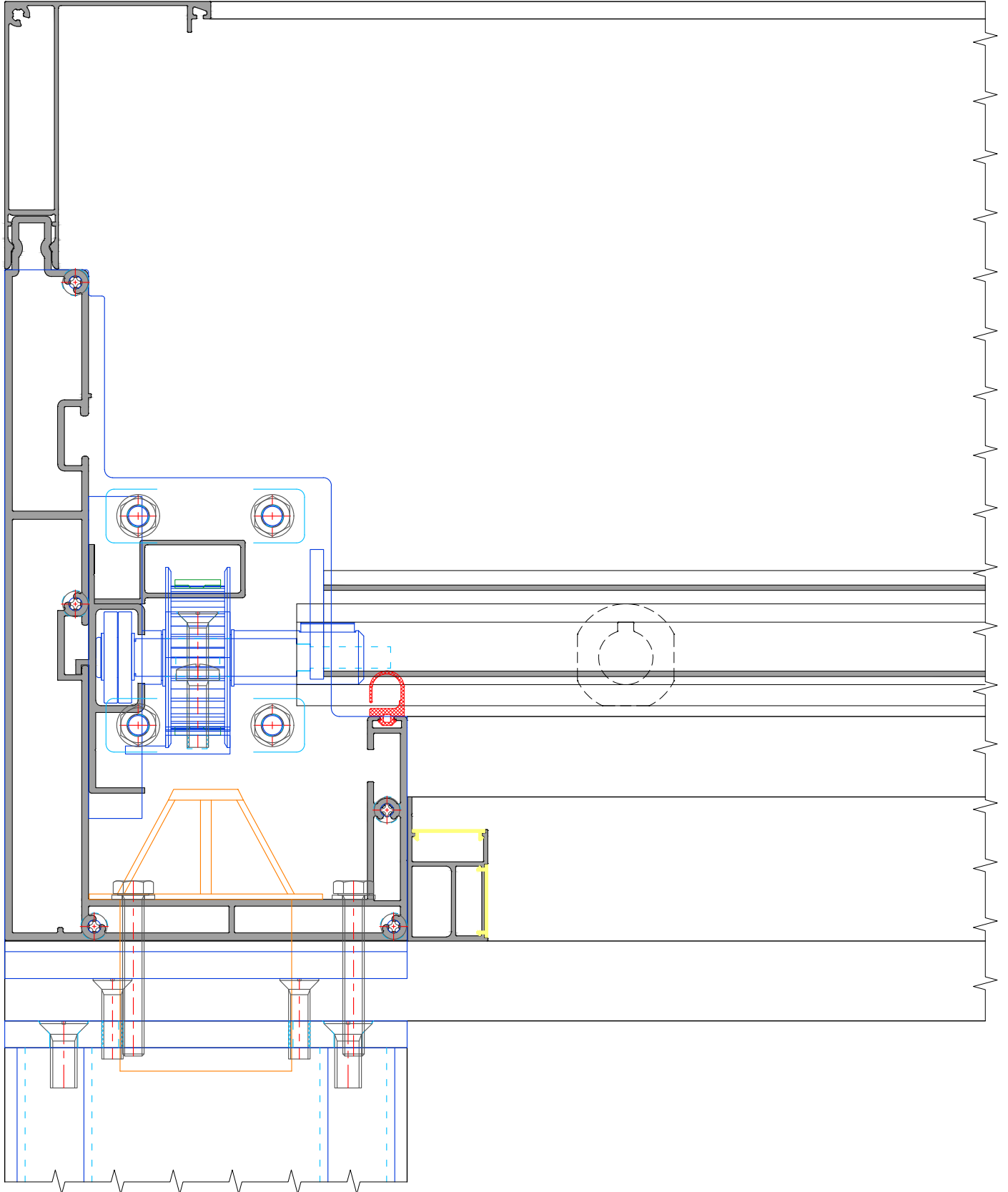


D3a





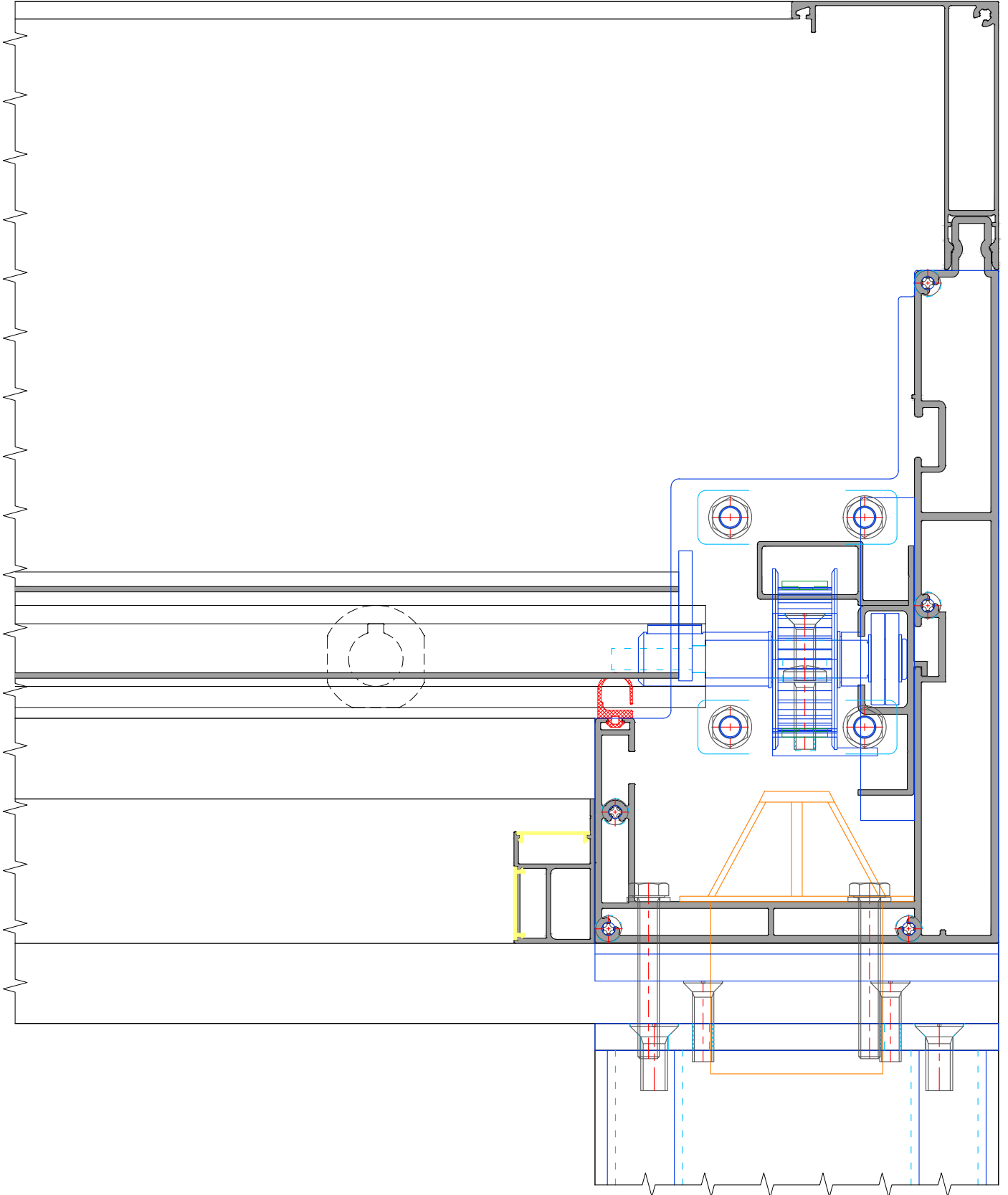
D4





ÖLÇEK:1/2

D5



BIOCLIMATIC T\O

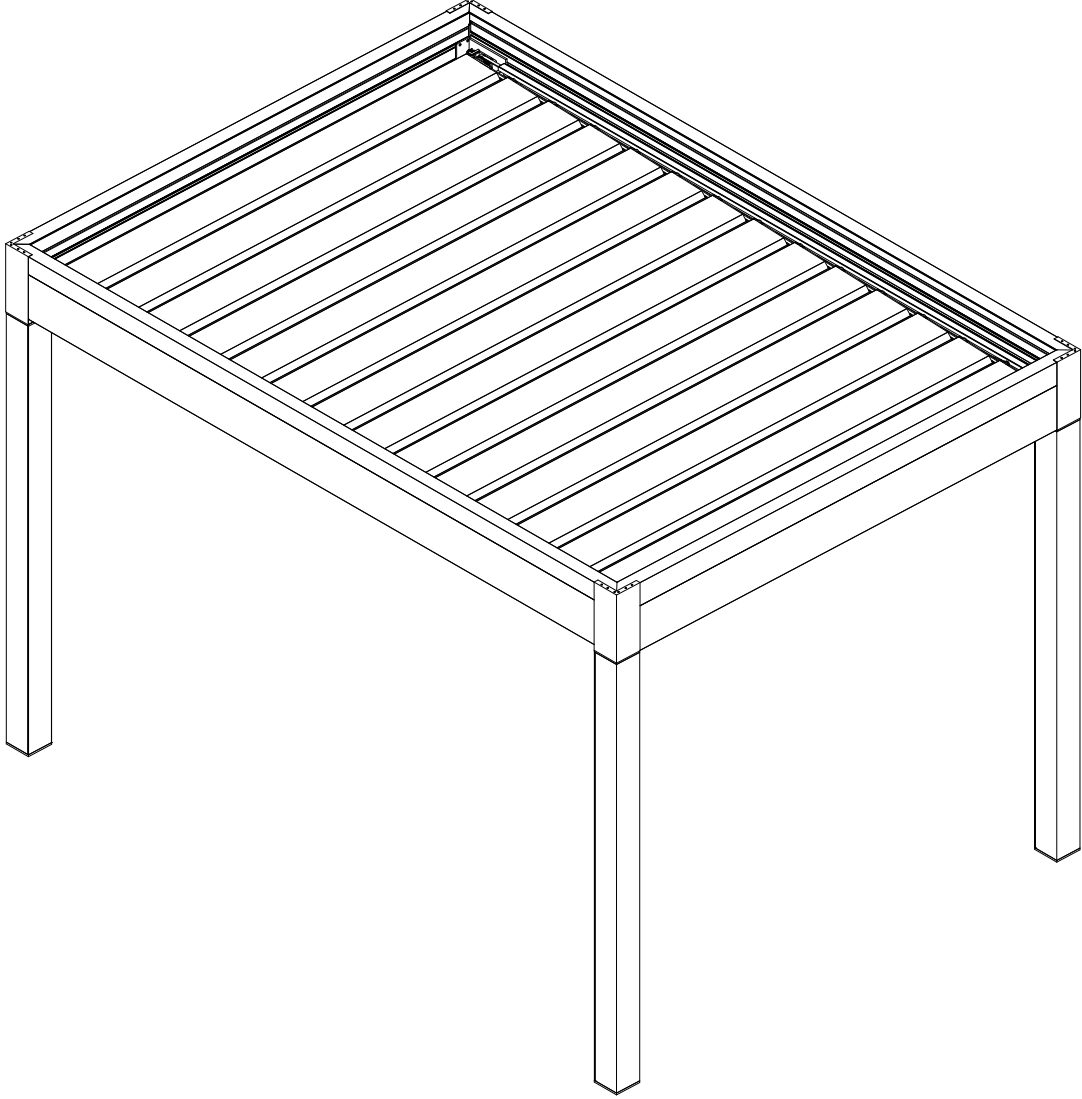
BIOCLIMATIC SİSTEM
BIOCLIMATIC SYSTEM



AMANOS

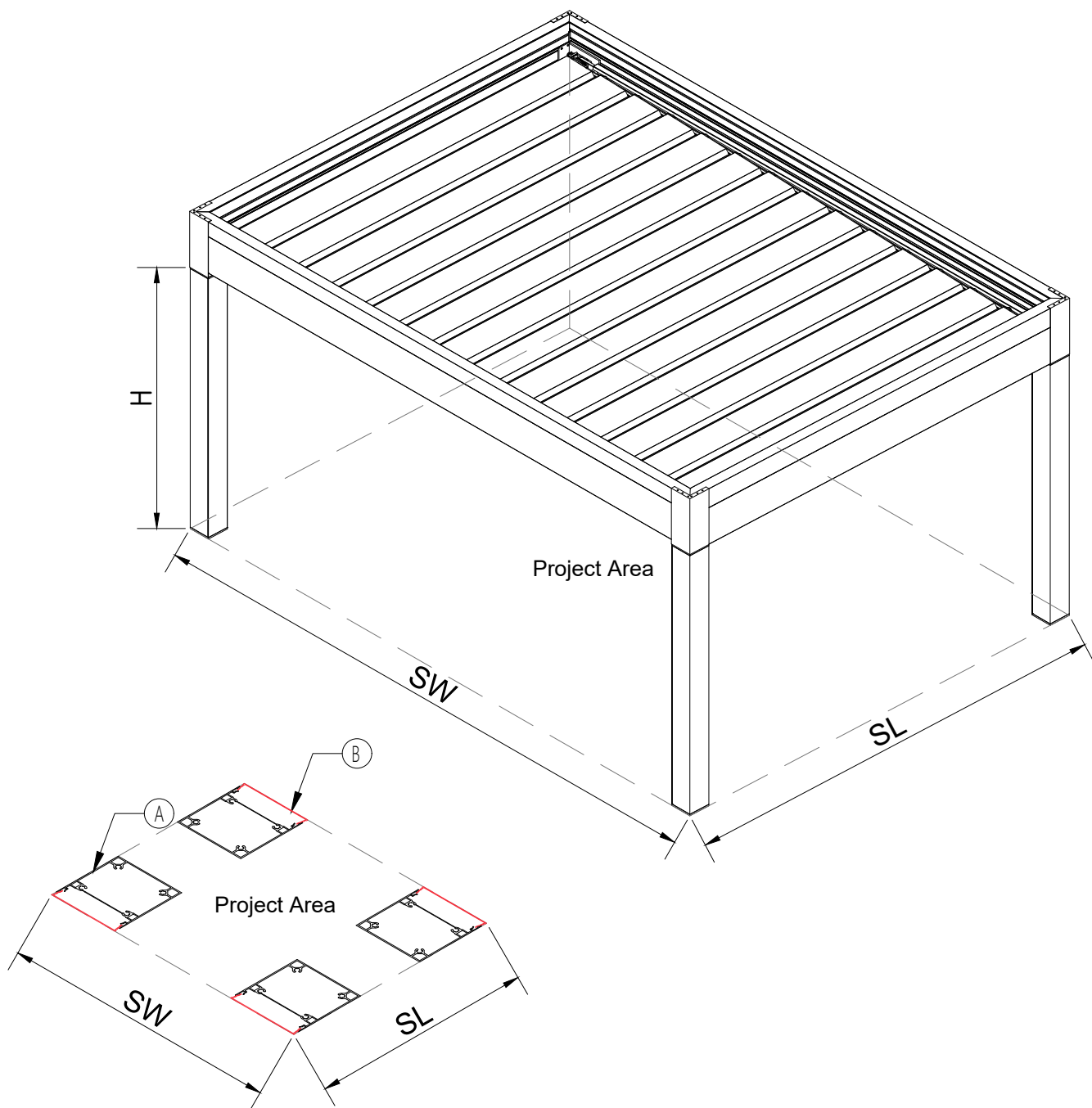
MONTAJ DETAYLARI

INSTALLATION DETAILS

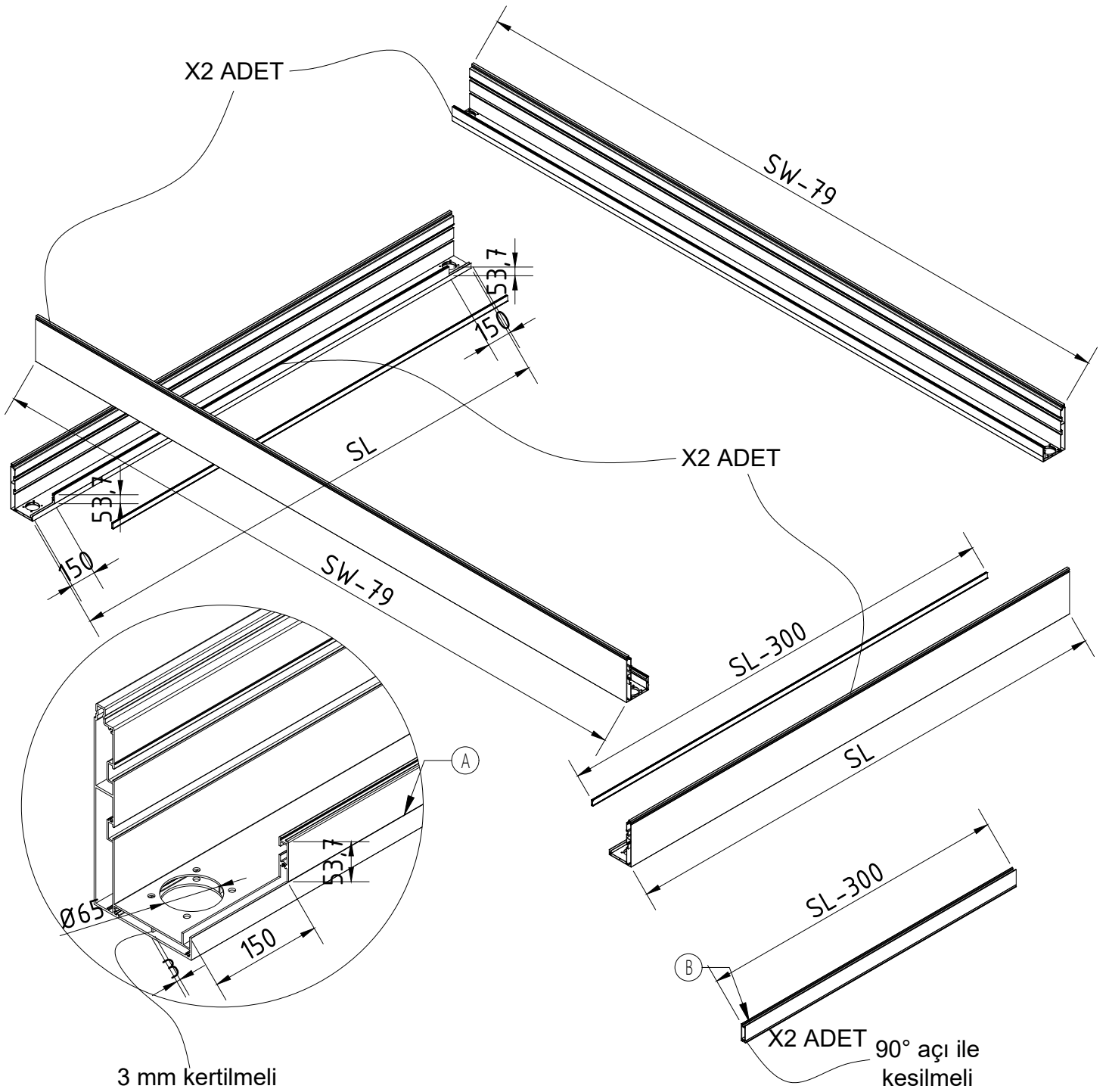


MONTAJ DETAYLARI

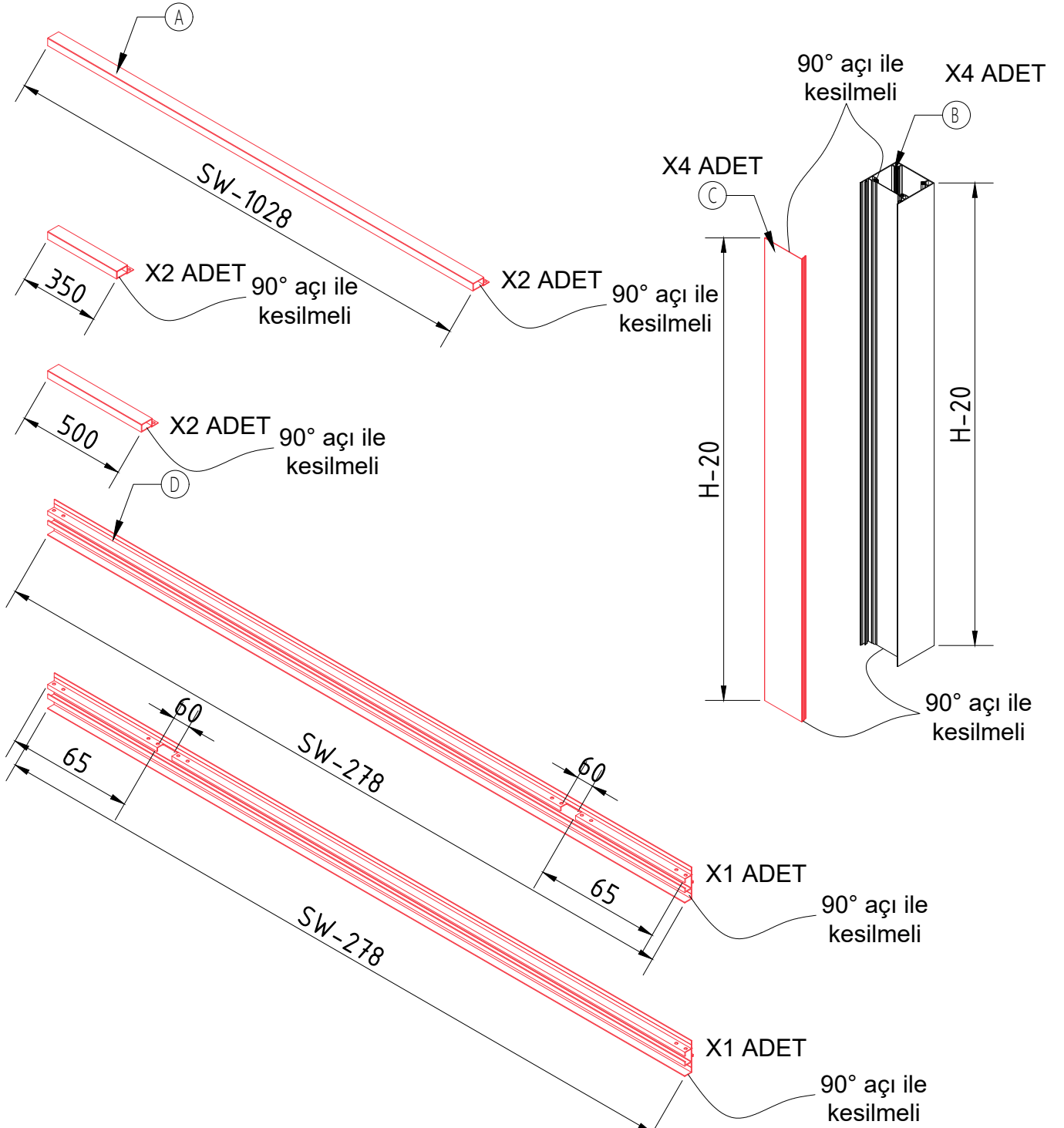
INSTALLATION DETAILS



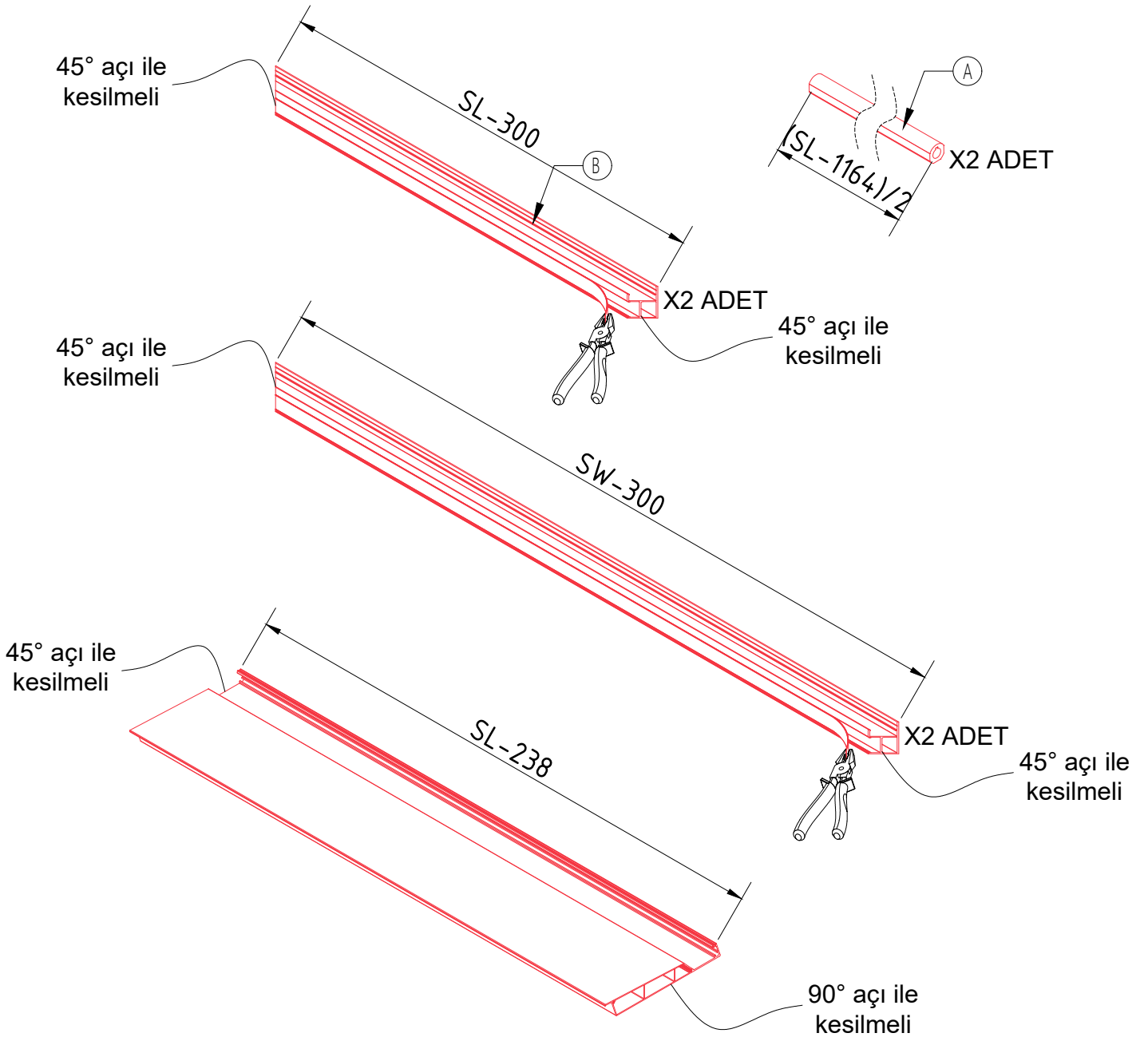
PRODUCT NAME	A COLUMN PROFILE	B COLUMN COVER PROFILE	
PRODUCT REFERENCE	710-4001	710-6001	
DRAWING			



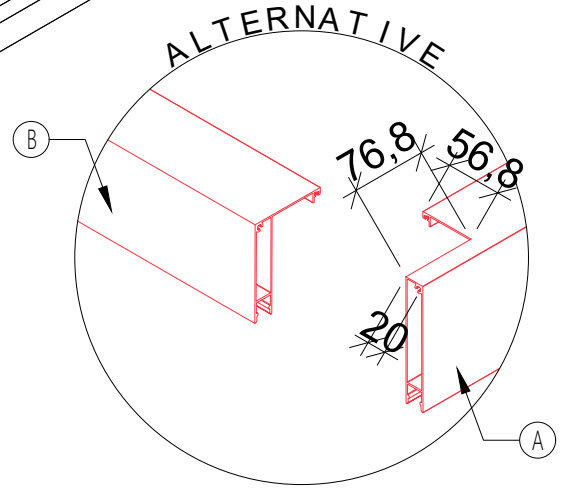
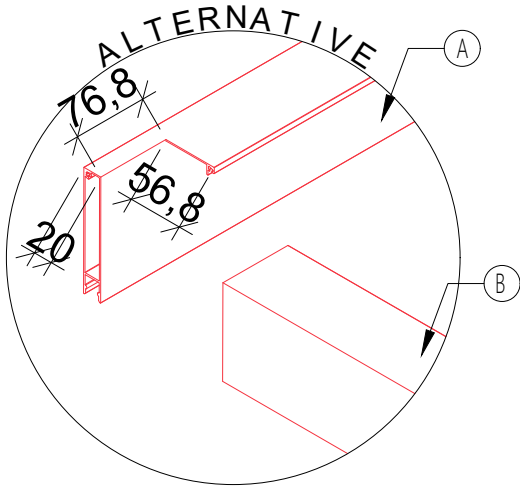
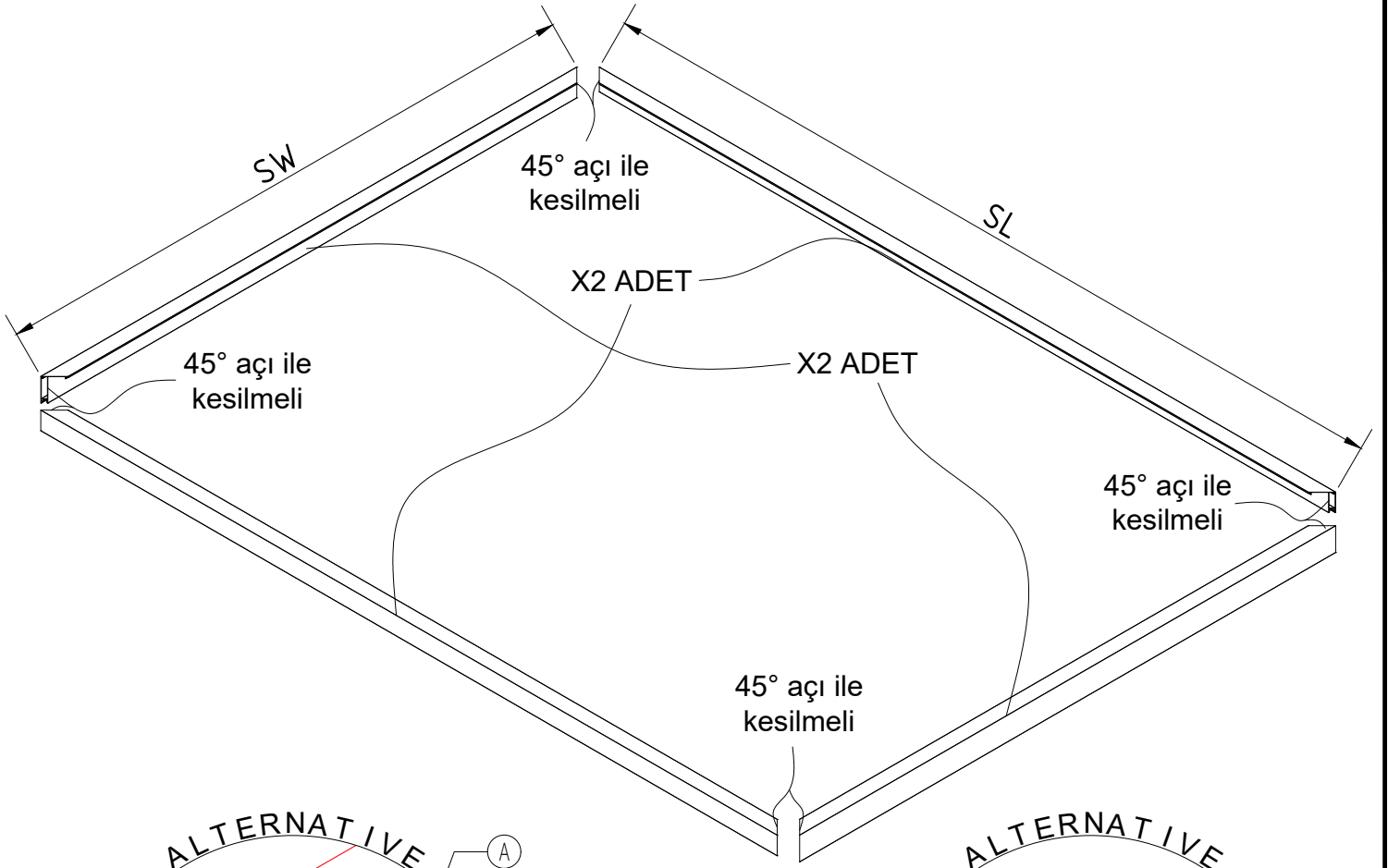
PRODUCT NAME	(A) CHASSIS PROFILE	(B) ADAPTER PROFILE	
PRODUCT REFERENCE	710-3001	720-5001	
DRAWING			



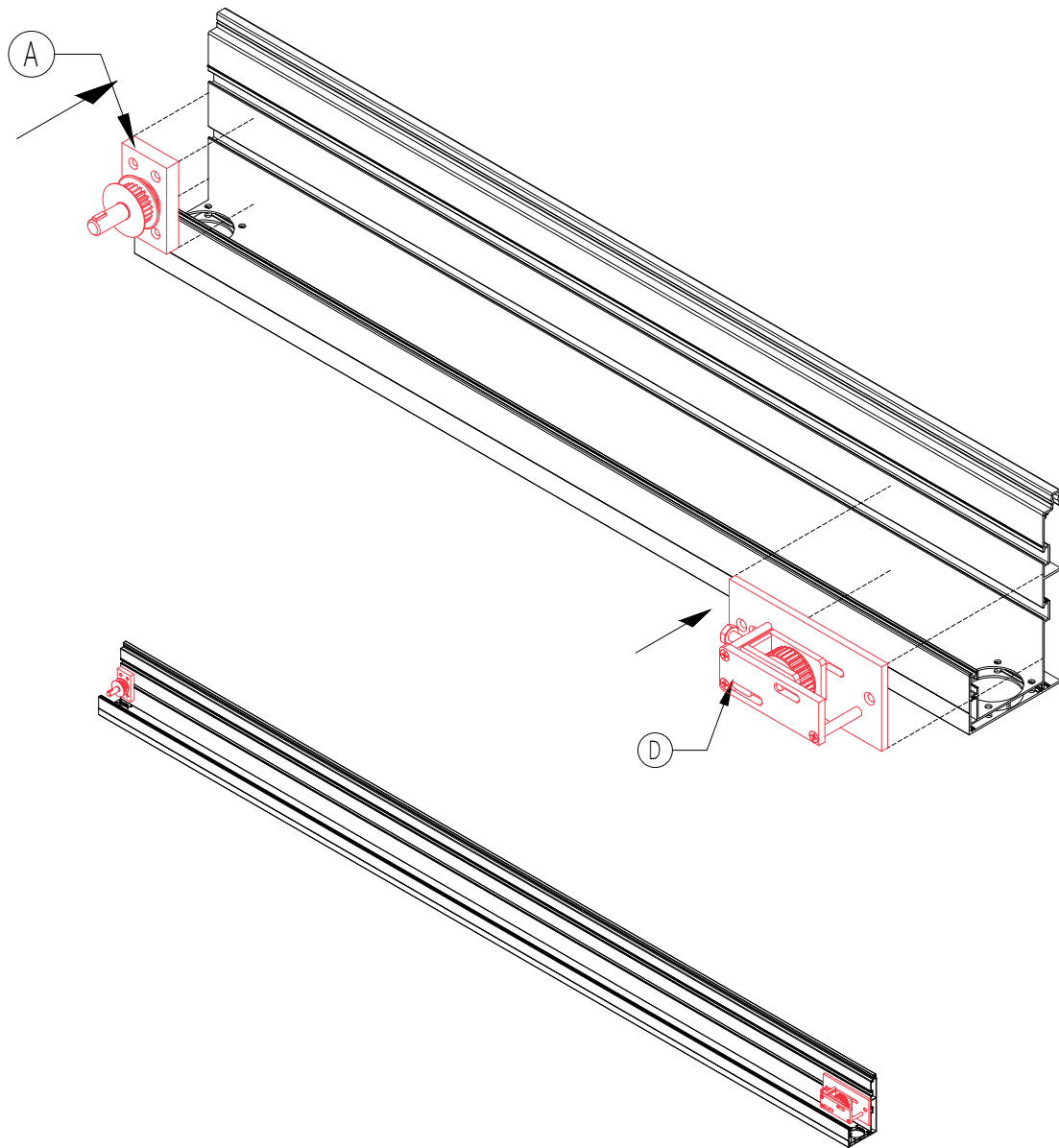
PRODUCT NAME	(A) CHASSIS PROFILE	(B) COLUMN PROFILE	(C) COLUMN COVER PROFILE	(D) COLUMN COVER PROFILE	
PRODUCT REFERENCE	720-7001	710-4001	710-6001	720-7002	
DRAWING					



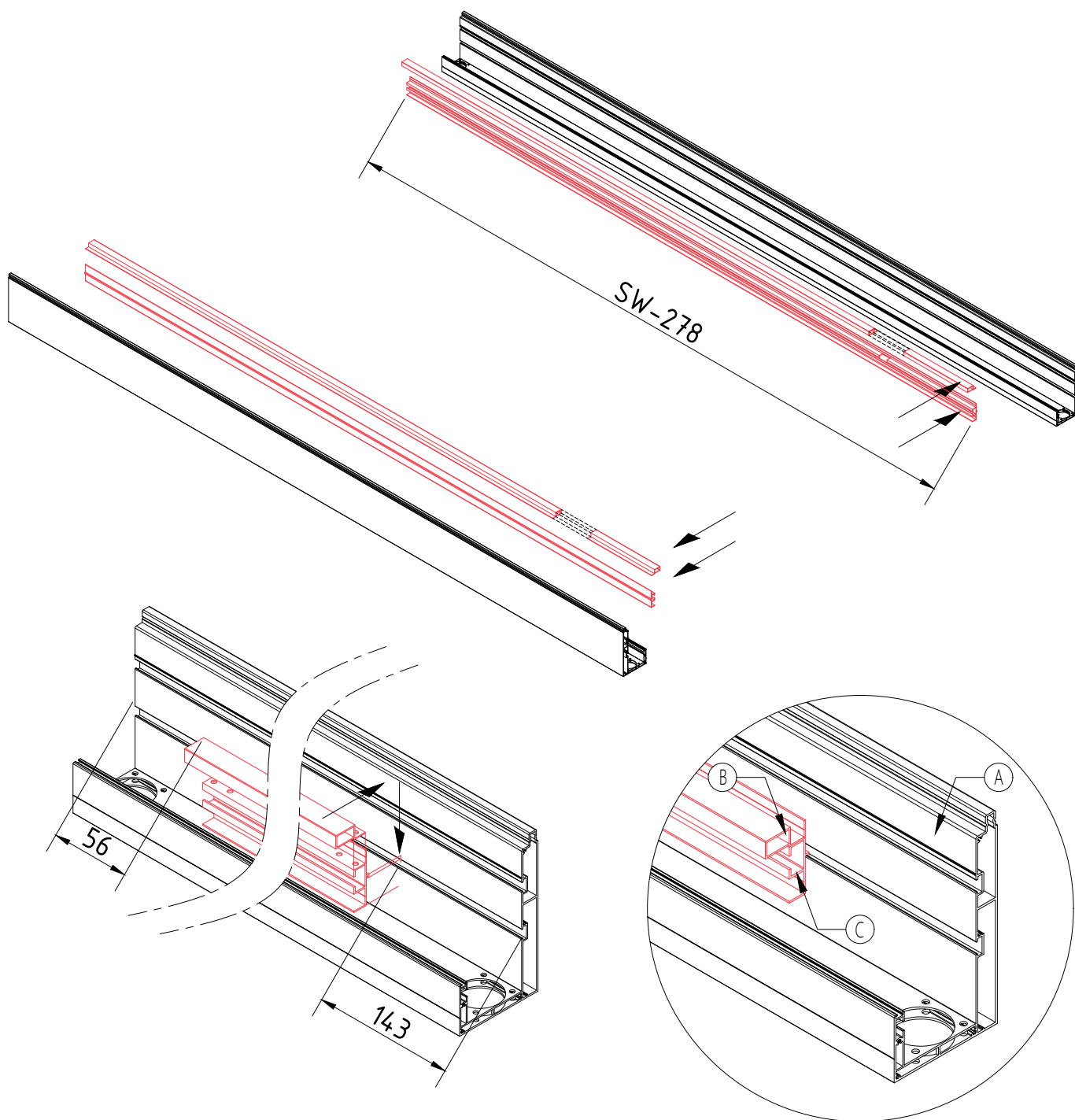
PRODUCT NAME	A	COLUMN COVER PROFILE	B	LED PROFILE	
PRODUCT REFERENCE		580-6101		720-6001	
DRAWING					

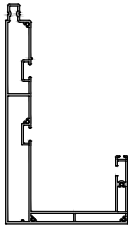
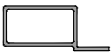



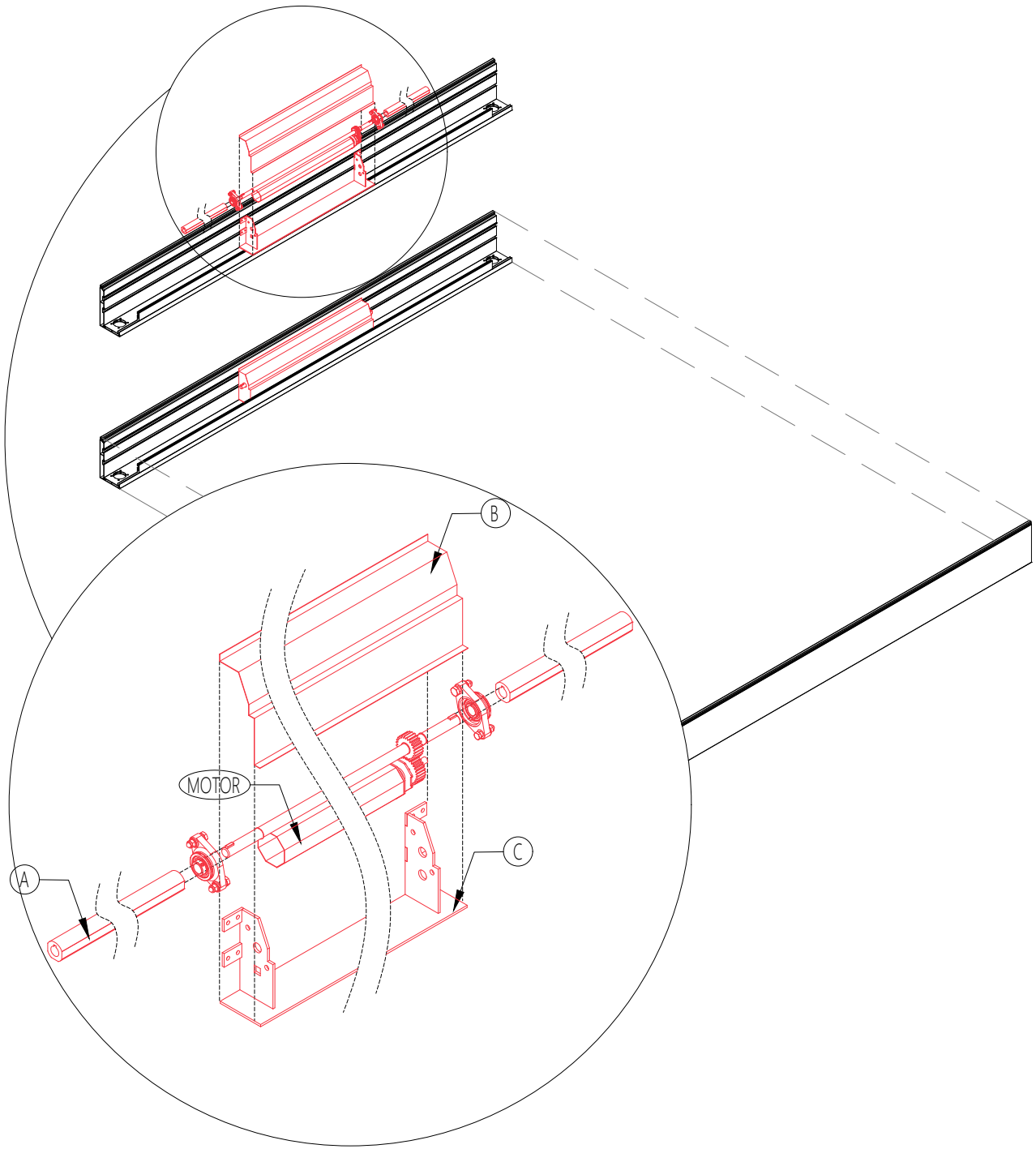
PRODUCT NAME	A ADAPTER PROFILE 130 mm	B ADAPTER PROFILE 100 mm	
PRODUCT REFERENCE	710-5001	710-5002	
DRAWING			



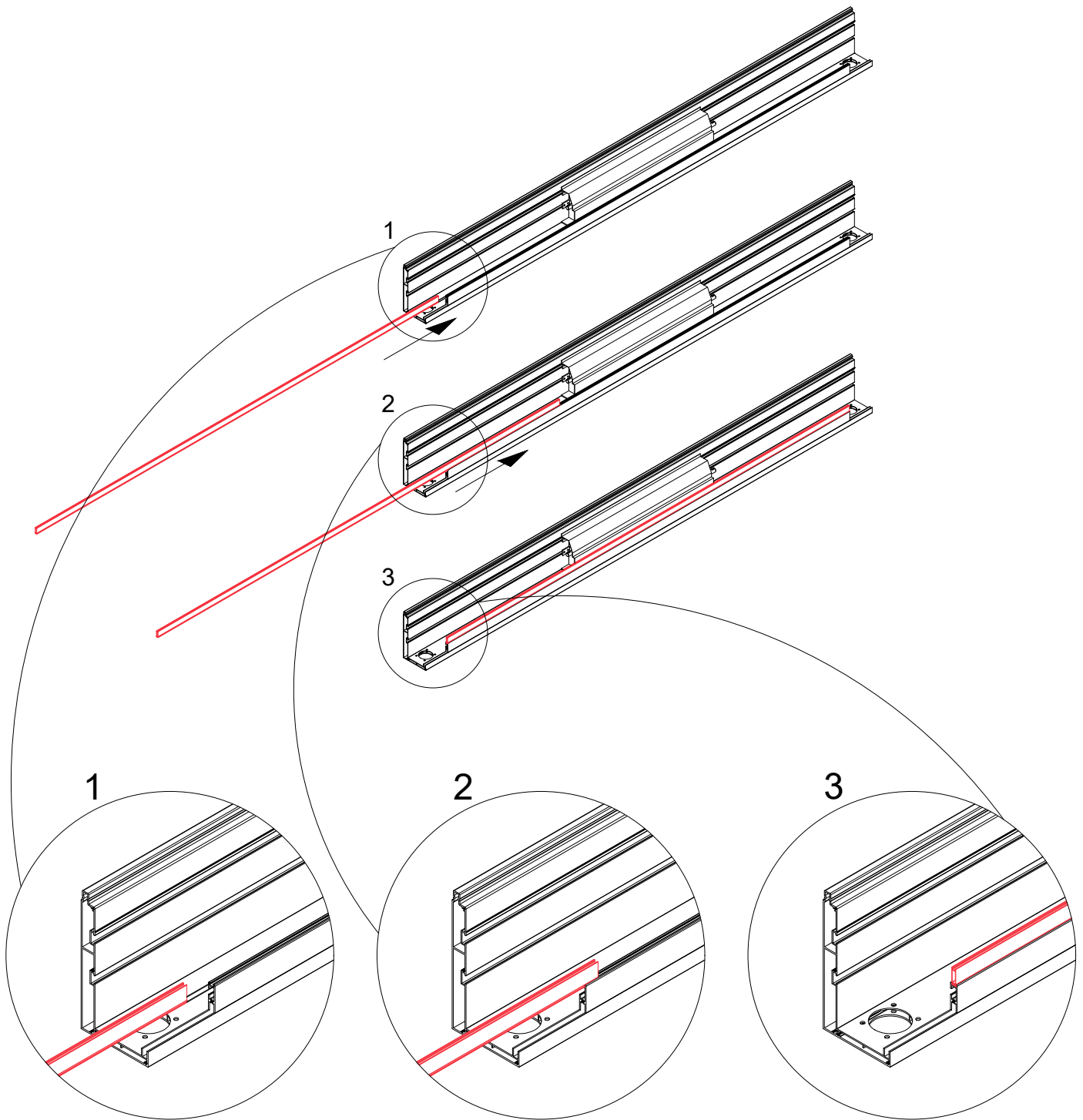
PRODUCT NAME	A BACK FIXED ROLLER SET	B FRONT ROLLER SET	
PRODUCT REFERENCE	8501302	8501301	
DRAWING			

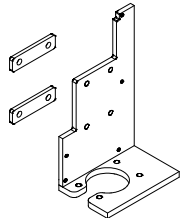
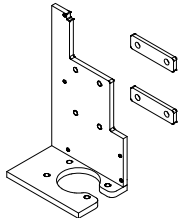
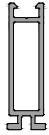


PRODUCT NAME	A CHASSIS PROFILE	B STRAP PROFILE	C ROLLER ROUTER PROFILE	
PRODUCT REFERENCE	710-3001	720-7001	720-7002	
DRAWING				



PRODUCT NAME	A COLUMN COVER PROFILE	A ENGINE BOX	
PRODUCT REFERENCE	580-6101	8528001	
DRAWING			



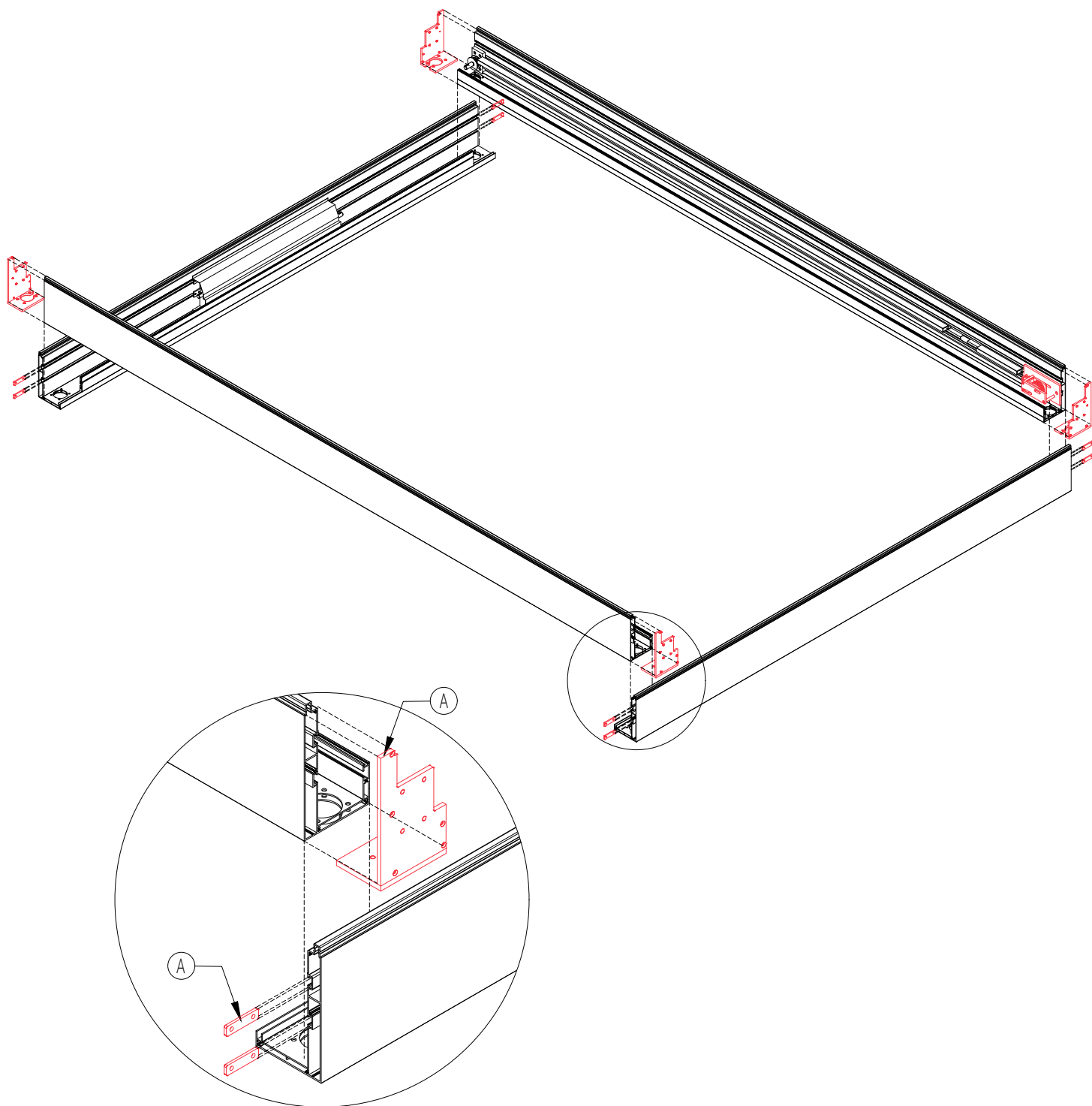
PRODUCT NAME	A CHASSIS CONNECTION SET		B ADAPTER PROFILE	
PRODUCT REFERENCE	9201407	9201408	720-5001	
DRAWING				

BIOCLIMATIC T\O | BIOCLIMATIC SİSTEM

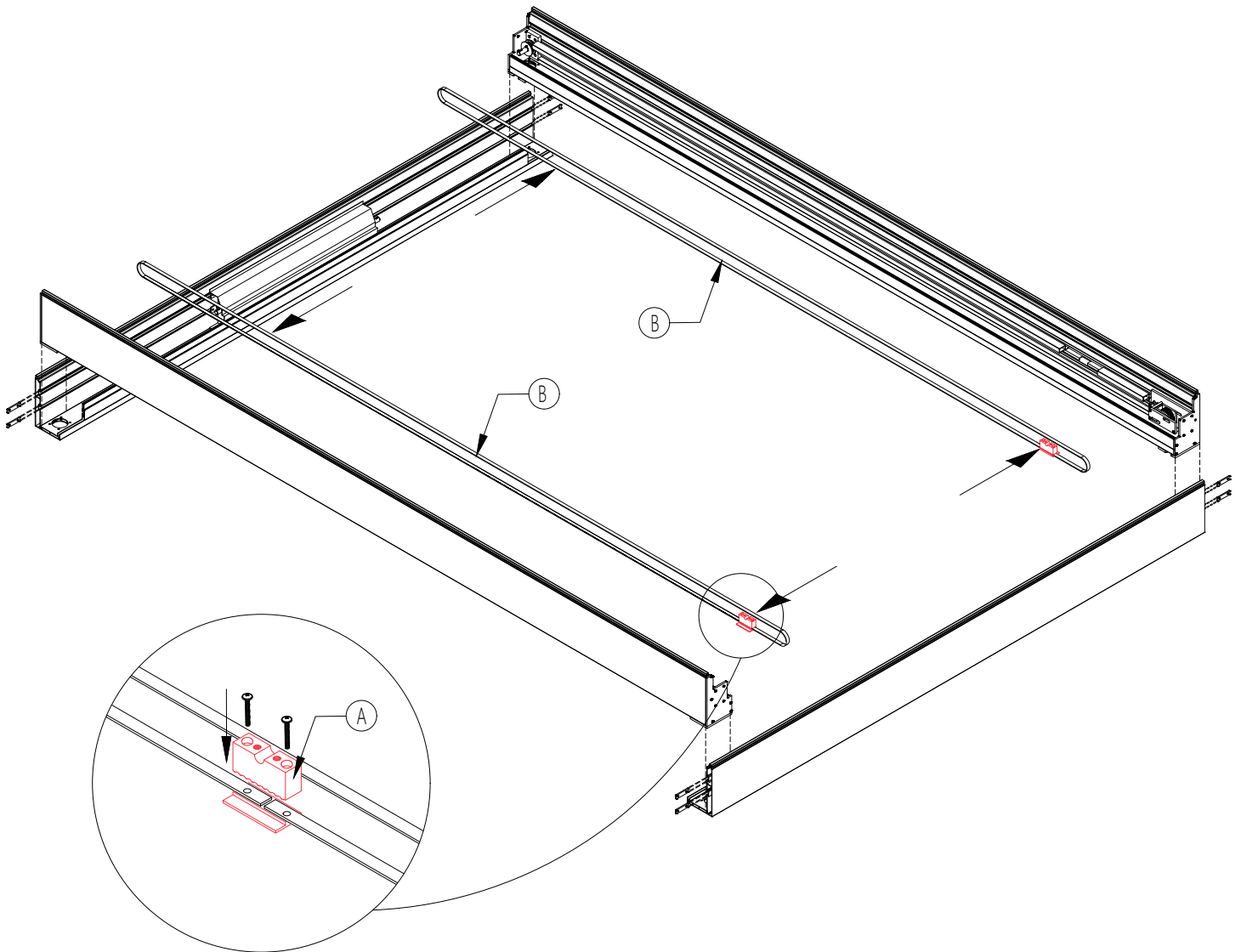
BIOCLIMATIC SYSTEM



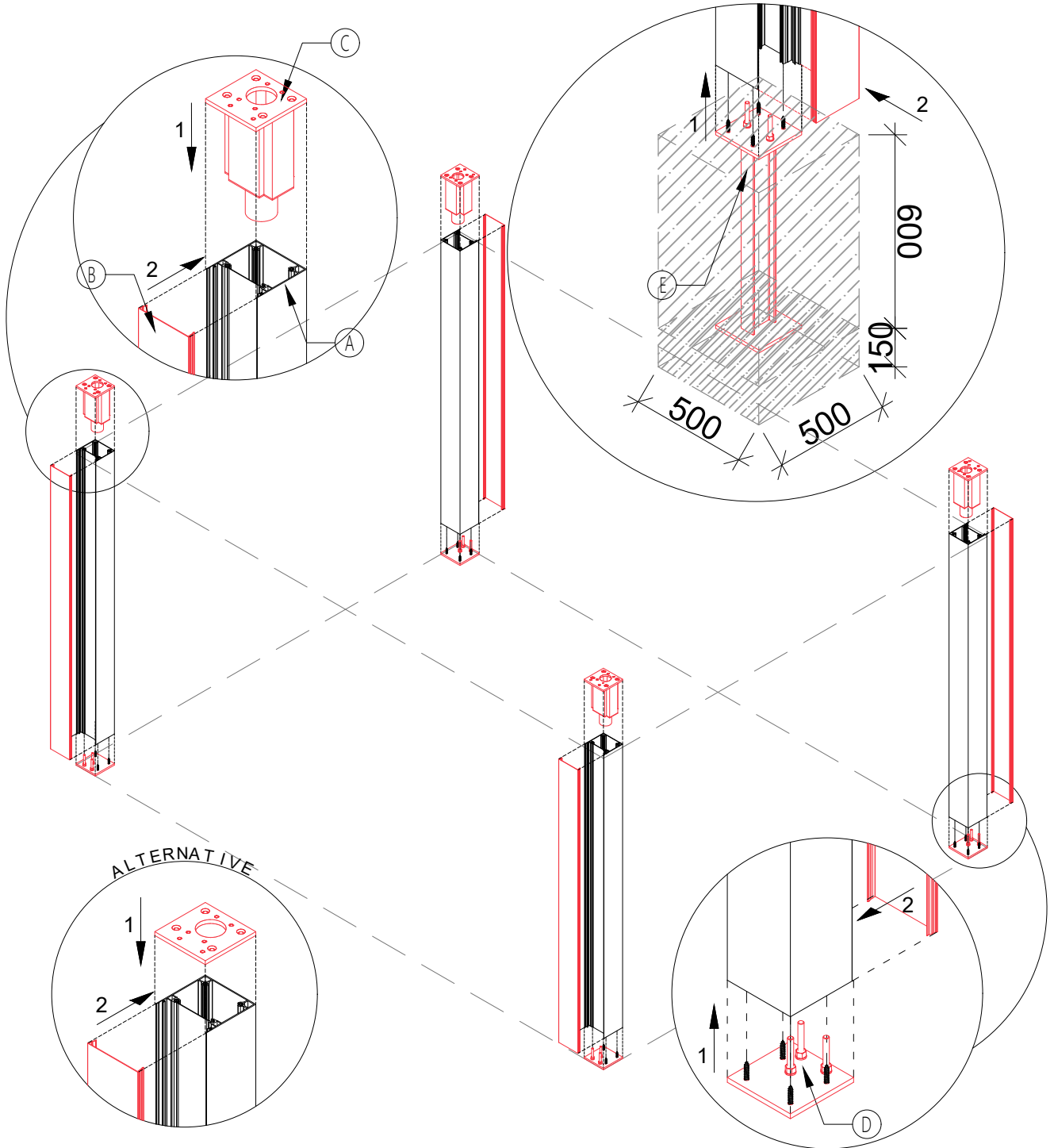
AMANOS



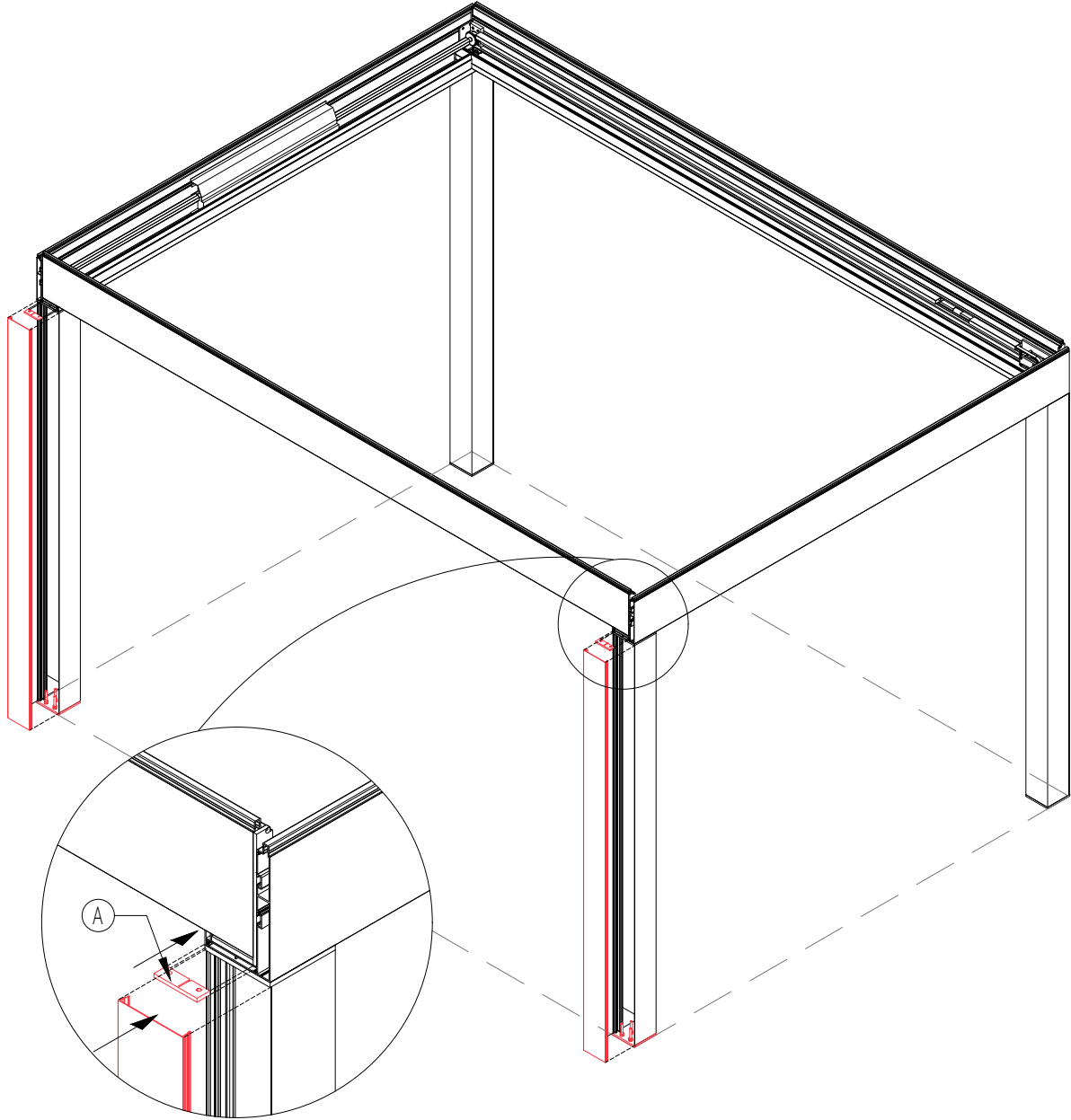
PRODUCT NAME	A CHASSIS CONNECTION SET	
PRODUCT REFERENCE	9201407	9201408
DRAWING		



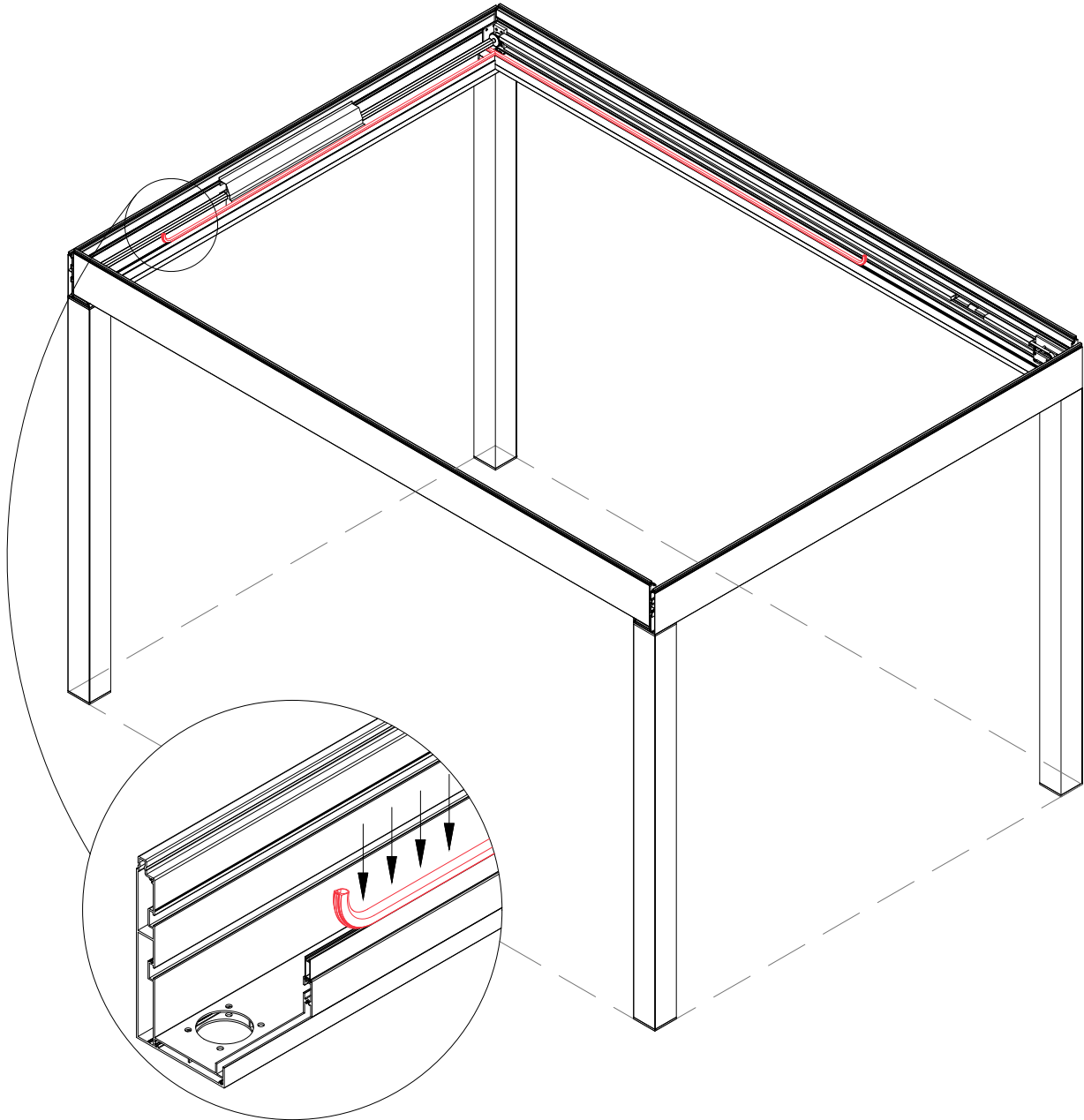
PRODUCT NAME	A STRAP CONNECTION COMPONENT	A T10 TIME BELT	
PRODUCT REFERENCE	8509302	8558701	
DRAWING			



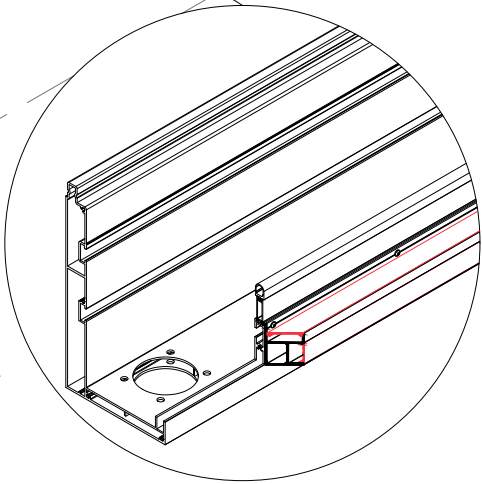
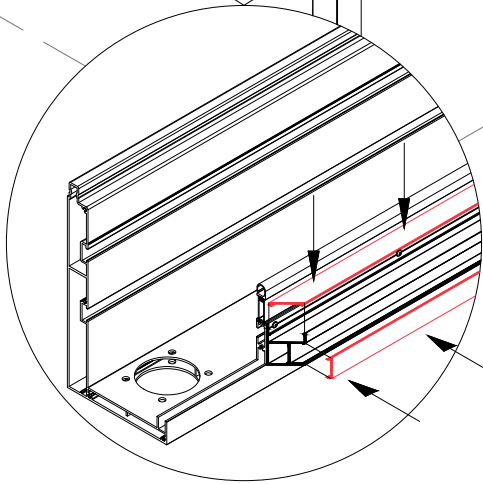
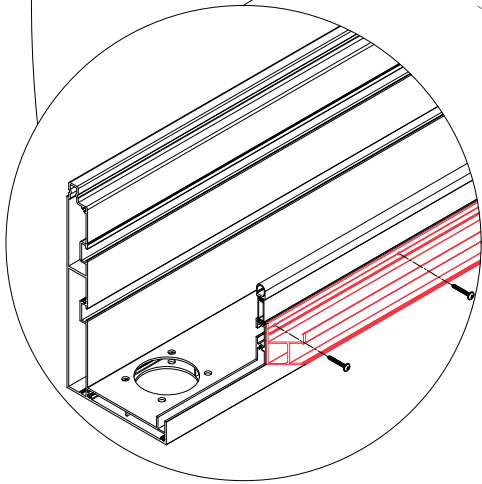
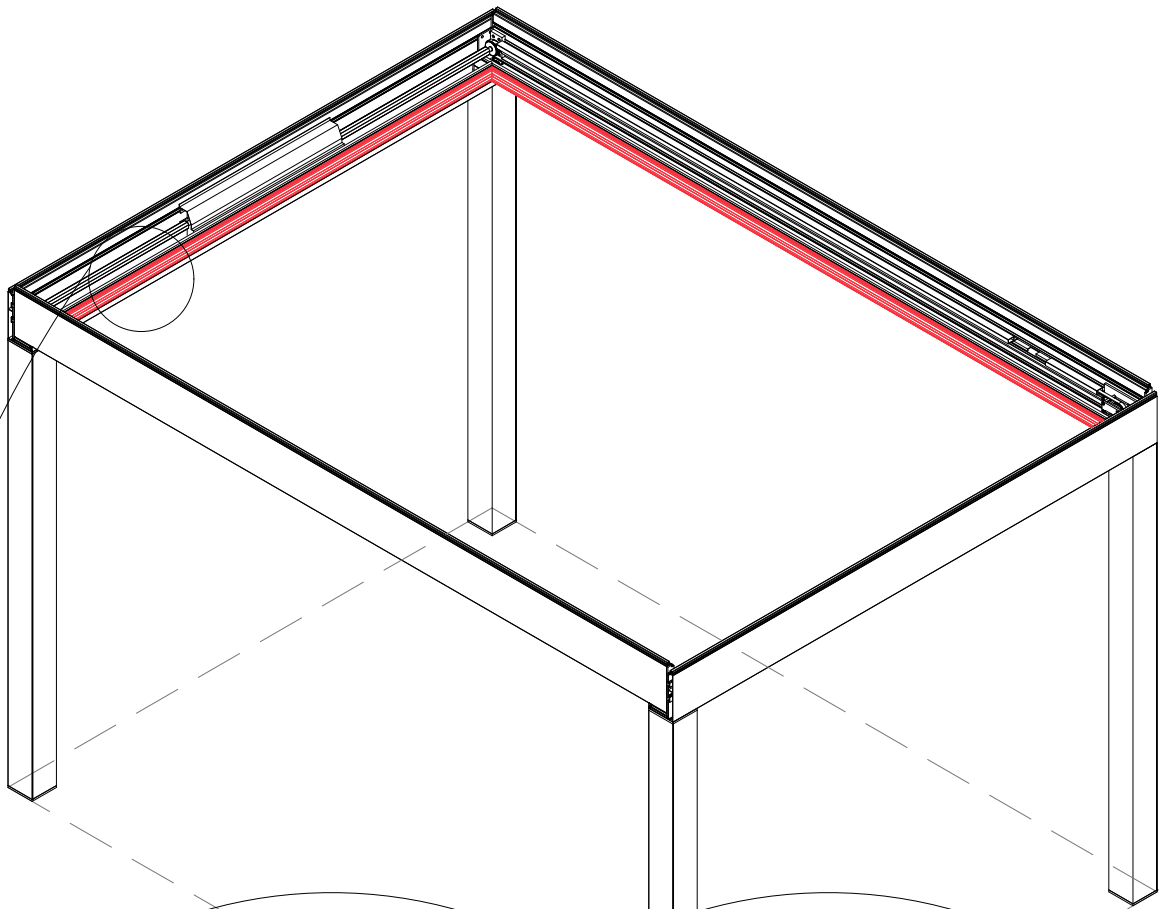
PRODUCT NAME	(A) COLUMN PROFILE	(B) COLUMN COVER PROFILE	(C) CHASSIS-COLUMN ANCHORAGE		(D) COLUMN BOTTOM ANCHORAGE	(D) COLUMN BOTTOM ANCHORAGE
PRODUCT REFERENCE	710-4001	710-6001	1616445	1616446	1616439	1616444
DRAWING						
			1616440	1616447		



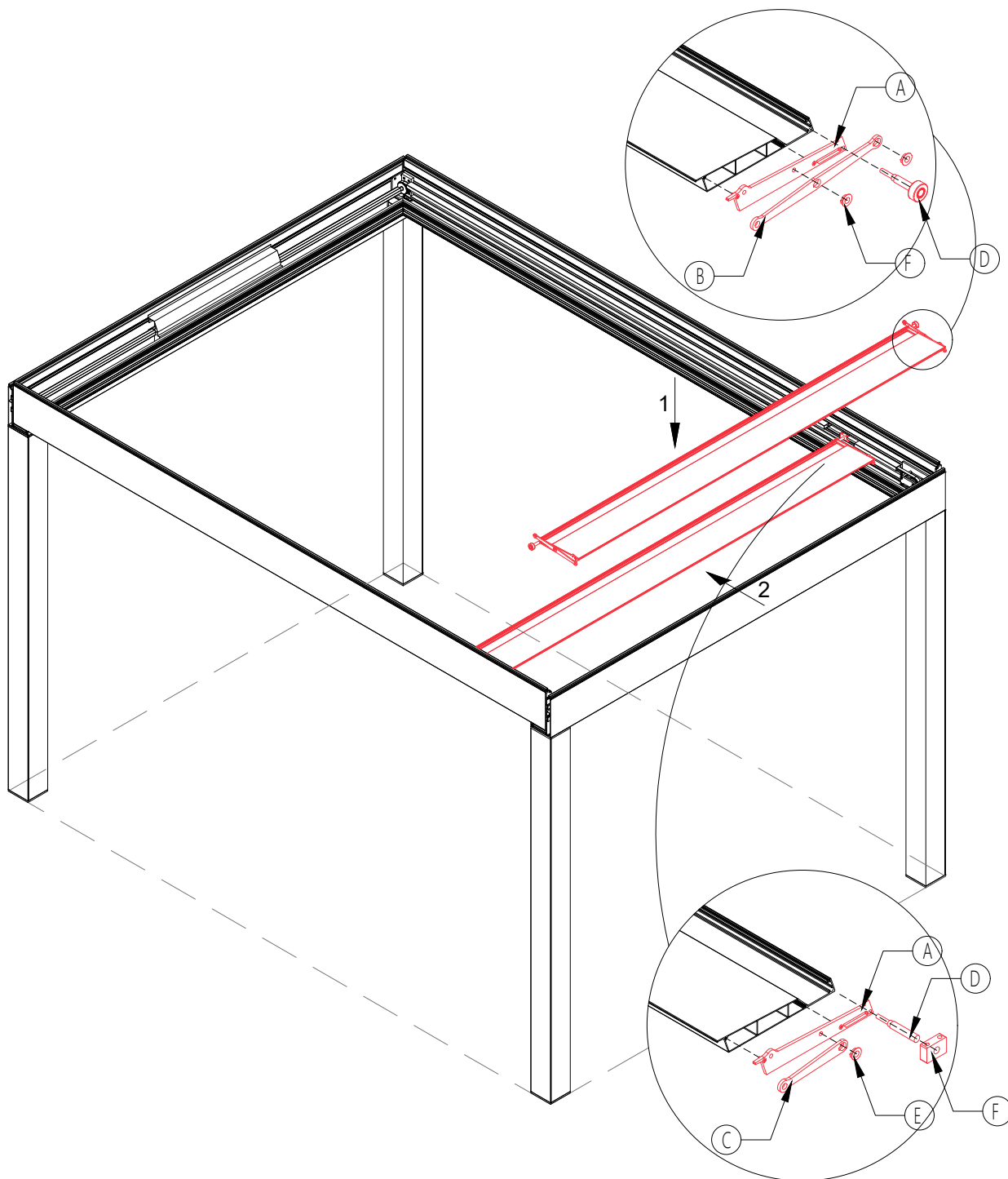
PRODUCT NAME	A CHASSIS-COLUMN CONNECTION PART	
PRODUCT REFERENCE	9209106	
DRAWING		



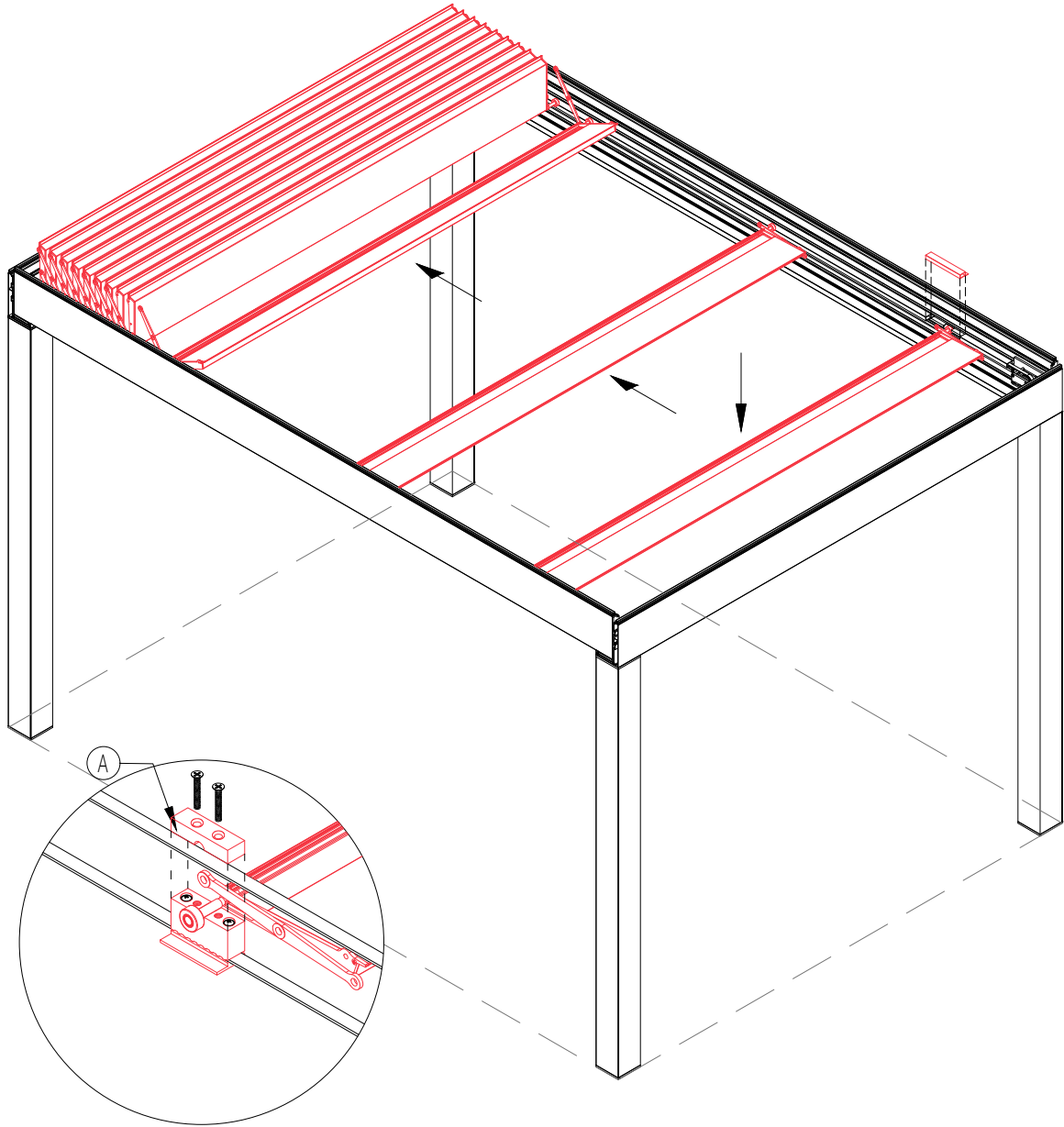
PRODUCT NAME	A	GASKET	
PRODUCT REFERENCE		8502201	
DRAWING			



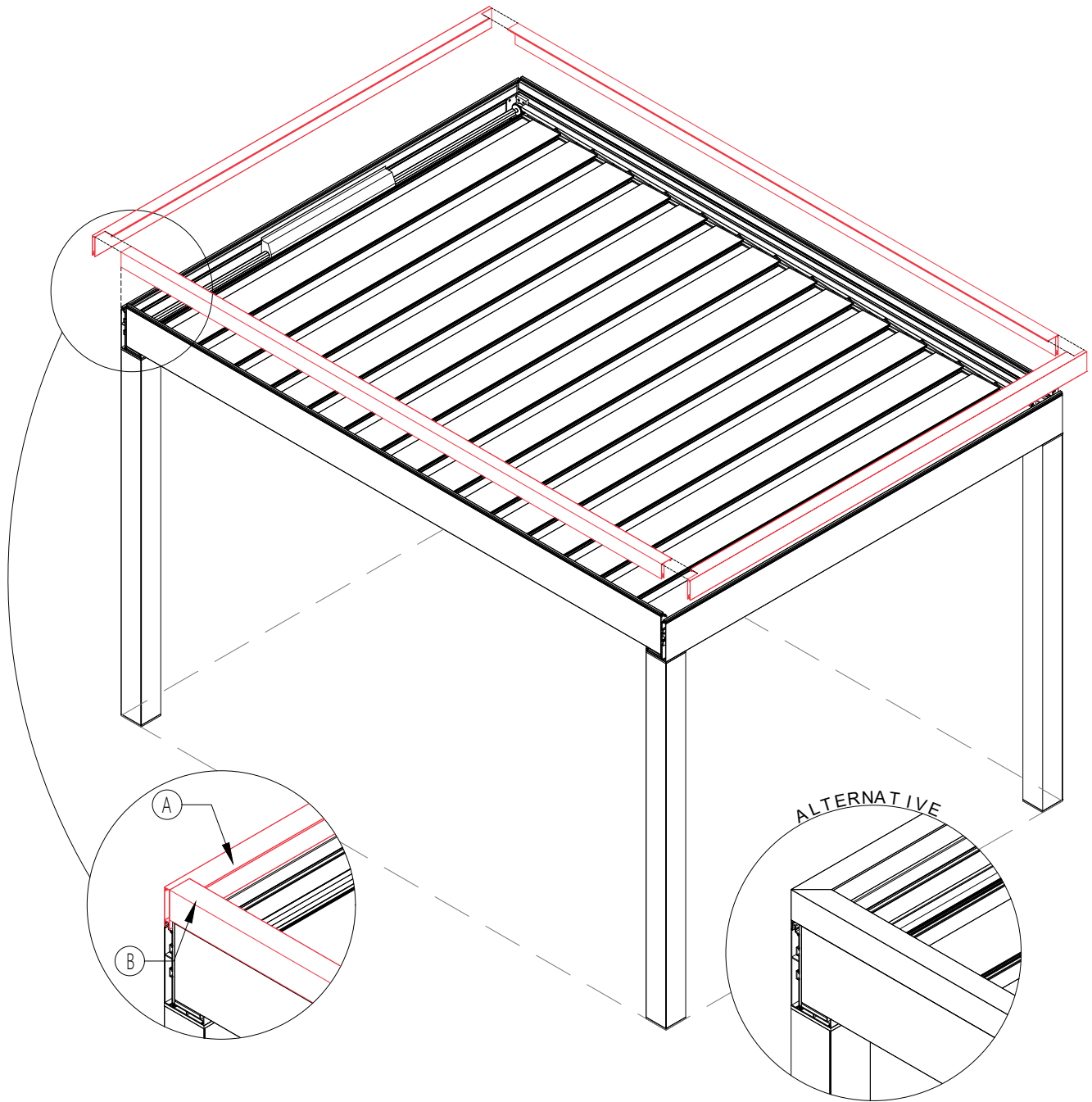
PRODUCT NAME	A LED PROFILE	B DIFFUSER LED CAP	
PRODUCT REFERENCE	720-6001	5303306	
DRAWING			



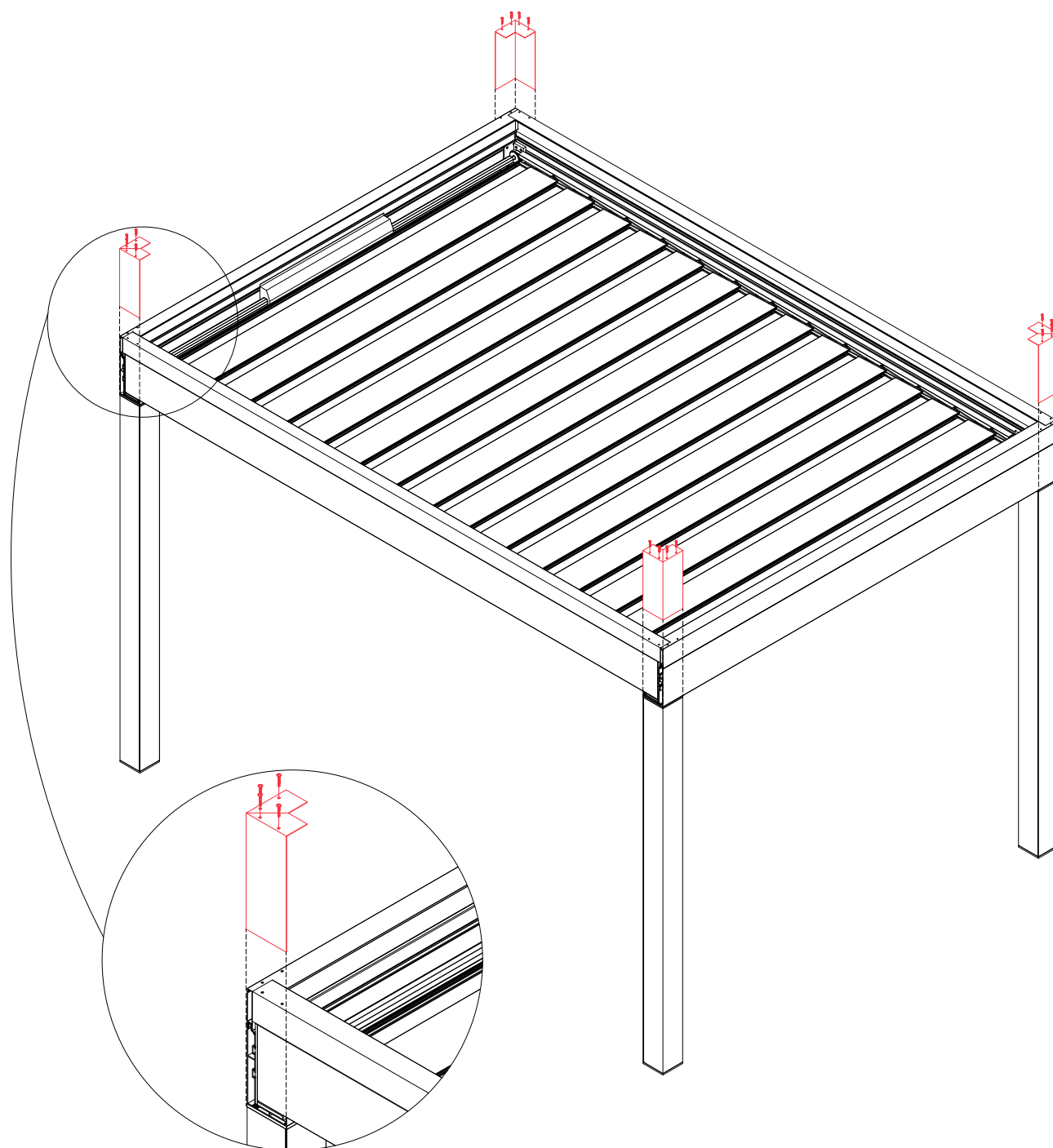
PRODUCT NAME	LAMEL SIDE COVER (LEFT-RIGHT)		LAMEL CONNECTOR	FRONT-BACK LAMEL CONNECTOR	ROLLER	GIB CONNECTOR	LAMEL FIXING COMPONENT
PRODUCT REFERENCE	8509305	8509306	8509303	8509304	9058400	8558700	8509301
DRAWING							



PRODUCT NAME	A STRAP CONNECTION COMPONENT	
PRODUCT REFERENCE	8509302	
DRAWING		



PRODUCT NAME	A ADAPTER PROFILE 130 mm	B ADAPTER PROFILE 100 mm	
PRODUCT REFERENCE	710-5001	710-5002	
DRAWING			



PRODUCT NAME	A CHASSIS CONNECTION COVER	
PRODUCT REFERENCE	9201213	
DRAWING		